



# World of Automation

## Chapter 5: Human Machine Interfaces

**HIQUEL**<sup>®</sup>  
HIGH QUALITY ELECTRONICS

[www.hiquel.com](http://www.hiquel.com)



## **5** Chapter 5: Human Machine Interfaces

- .01 WEB-Studio**
- .02 SCADA Software**
- .03 Histar Series**
- .04 Histar Frames**
- .05 Histar Audio, Histar MU**
- .06 Histar system overview**
- .07 HTPC-670S**
- .08 HPC-600S**
- .09 HTPC-870E**
- .10 HPC-870E**
- .11 Histar-870E**
- .12 HTPC-850E**
- .13 HPC-850E**
- .14 Histar-850E**
- .15 Histar-200**
- .16 HM-200**



# WEB-studio



**WEB-Studio** is a powerful, integrated tool that exploits key features of Microsoft® Windows® NT/2000/XP and Windows® CE, and enables you to build full featured **SCADA** (Supervisory Control And DATA Acquisition) or **HMI** (Human-Machine Interface) applications for your Industrial and Building Automation business.

- ◆ Visualizations for all Microsoft-supported operating systems
- ◆ Standalone and Web applications
- ◆ Integrates Windows desktop applications
- ◆ View multiple Web Thin client applications
- ◆ Publishes real-time dynamic and animated graphic screens, trends, alarms, reports, and recipes to standard WEB browsers
- ◆ Uses an extensive symbol library to simplify development
- ◆ Work with a advanced math library with more than 100 standard functions
- ◆ Contains a powerful, flexible tags database with Boolean, Real, String, Array tags, classes and indirect pointers
- ◆ More than 200 communication drivers available for different devices
- ◆ Provides automatic language translation at runtime
- ◆ Embedded VBScript interface, allowing the user to create simple or sophisticated scripts and logics directly in the objects or background tasks.
- ◆ Exchange data between wireless and mobile devices
- ◆ Perform online configuration, debugging and remote application management.

## ordering information

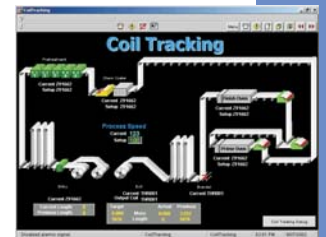
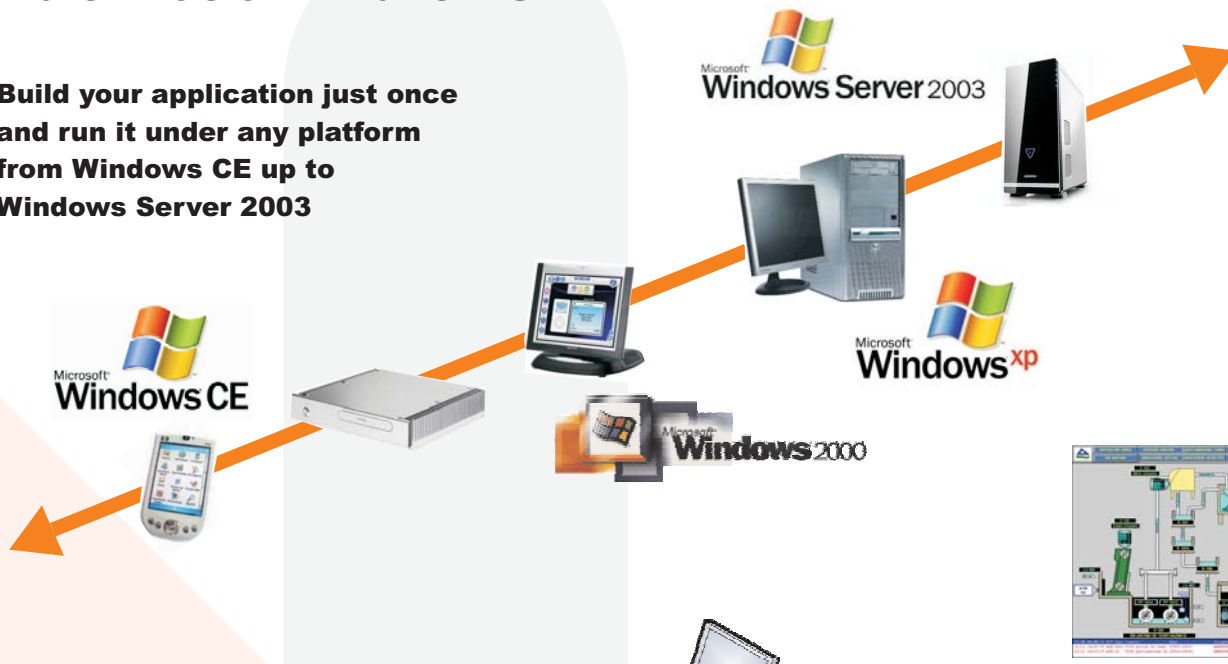
part no	tags	runtime/development	platform	simultaneous communication drivers
<b>IWS-4000-NT-V6.1</b>	4000	development	XP/2000/NT	5
<b>IWS-1500-NT-V6.1</b>	1500	development	XP/2000/NT	3
<b>IWS-0150-NT-V6.1</b>	150	development	XP/2000/NT	1
<b>IWS-4000-NT-RT-V6.1</b>	4000	runtime	XP/2000/NT	5
<b>IWS-1500-NT-RT-V6.1</b>	1500	runtime	XP/2000/NT	3
<b>IWS-0150-NT-RT-V6.1</b>	150	runtime	XP/2000/NT	1
<b>IWS-4000-CE-RT-V6.1</b>	4000	runtime	WinCe	5
<b>IWS-1500-CE-RT-V6.1</b>	1500	runtime	WinCe	3
<b>IWS-0150-CE-RT-V6.1</b>	150	runtime	WinCe	1

# SCADA



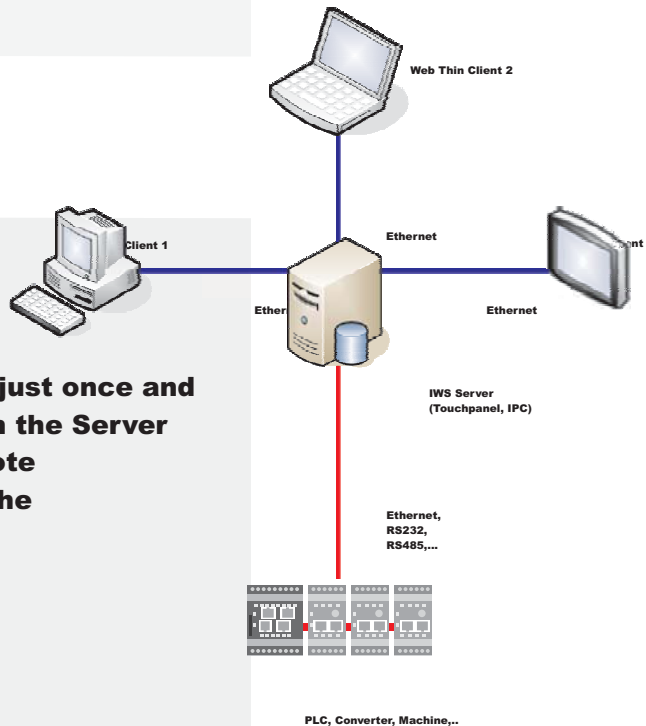
## Multi-Platform Runtime

Build your application just once and run it under any platform from Windows CE up to Windows Server 2003



## WEB Solution

Develop the application just once and access the screens from the Server station or from any remote Web Thin Client during the runtime.



## ordering information

part no	total concurrent web session
IWS-002-WS	2
IWS-004-WS	4
IWS-008-WS	8
IWS-016-WS	16
IWS-032-WS	32
IWS-064-WS	64
IWS-128-WS	128

# HISTAR



The HISTAR design convinces you? The assembly and easy installation is fascinating? The interchange of various design frames is a brilliant invention? But you are already using a building controller?

That's no problem with HISTAR monitor you haven't to abstain for it. Even not for the Touch Screen!

The graphic and touch screen interface is available to connect the HISTAR Monitor to any PC, building server or any kind of controller.

According to the wishes of the planners and builders, the HISTAR family can be either invisible but it can also become a significant component in the interior design. And because the design frames not only look good but can also be replaced with only one "click", everyone can choose his/her frame according to the actual mood.



**THE HISTAR FITS PERFECTLY  
EVERY SITUATION!**

# Frames



The installation box MU integrates the HISTAR products. The wall mounting guarantees that the HISTAR will have a maximum distance of 25mm to the surface of the wall. This gives to the HISTAR the look of a picture on the wall.

The mounting is so simple: mounting the in-wall box, fitting HISTAR and adding the frame. **READY!**



The colourful design frames are looking really beautiful. And to exchange them is done in a moment! For that reason everybody will select his own frame for its ambient or its individual room situation.

The design frame is made of high quality Perspex or anodized aluminium. Even polished or matt, the surfaces are refined and prepared for a long term usage.

## ordering information

	Farbe	Material	15"	19"		Farbe	Material	15"	19"
HOME	roughly	aluminium	FR15-16	FR19-16	ALU + GLASS	wide white	anodized aluminium + glass	FRgw15-W	
	aluminium anodised	aluminium	FR15-5	FR19-5		wide black	anodized aluminium + glass	FRgw15-B	
	bronze	aluminium	FR15-8	FR19-8		wide mint-green	anodized aluminium + glass	FRgw15-G	
	antique RAL8025	aluminium	FR15-9	FR19-9		white	glass	FRg15-W	FRg19-W
						black	glass	FRg15-B	FRg19-B
TOP	silvermetallic	Perspex	FR15-1	FR19-1	mint-green	glass	FRg15-G	FRg19-G	
	smoke-green	Perspex	FR15-3	FR19-3					
	anthracite	Perspex	FR15-4	FR19-4					
	milk-white	Perspex	FR15-15	FR19-15					
EXCLUSIVE	night-black	Perspex	FR15-2	FR19-2					
	frost-red	Perspex	FR15-10	FR19-10					
	zinc-yellow	Perspex	FR15-11	FR19-11					
	black-green	Perspex	FR15-12	FR19-12					
	black-blue	Perspex	FR15-13	FR19-13					
	ultramarine-blue	Perspex	FR15-14	FR19-14					

**AUDIO** FRxx-xx option: Speaker and microphone integrated in the front. Your order code: Add "M" on the end of the product code you choosed. ex: FR15-3-M



## HISTAR-Audio

The Multimedia-KIT has been designed to equip the HISTAR with the following functions:

- ◆ VOIP function
- ◆ acoustic signals (ex.: warnings, messages,...)
- ◆ voice registration and playback

### Installation:

The Multimedia-KIT is already into the front panel of compatible HISTAR configurations.

### IMPORTANT:

Existing configurations can not be upgraded!  
Please note that the order code changes  
(ex: Histar-850E-M)

### General characteristics:

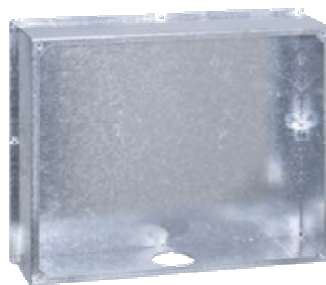
Speaker  
Micro Sensitivity  
Double echo cancellation  
Echo attenuation  
Constant rumour cancellation

Output S.P.L. 78+- 3dB at 1m 1W  
+60 +/- 2dB  
ambiental and vocal echo is deleted  
typically 35dB for background rumours  
17dB for background rumour and 40db  
for single tones



## THE HISTAR MU

The installation box MU integrates the Histar products. The wall mounting guarantees that the HISTAR-PC will have a maximum distance of 25mm to the surface of the wall. This gives to the HISTAR the look of a picture on the wall. HISTAR-PCs are available with following display sizes: 15", 19" and fits to each application.



## ordering information

part	application
<b>MU15</b>	in wall mount box for walls
<b>MU19</b>	in wall mount box for walls
<b>MU15T</b>	mortarless constructions and wooden structures
<b>MU19T</b>	mortarless constructions and wooden structures
<b>MU15A</b>	wall mount box for on wall mounting

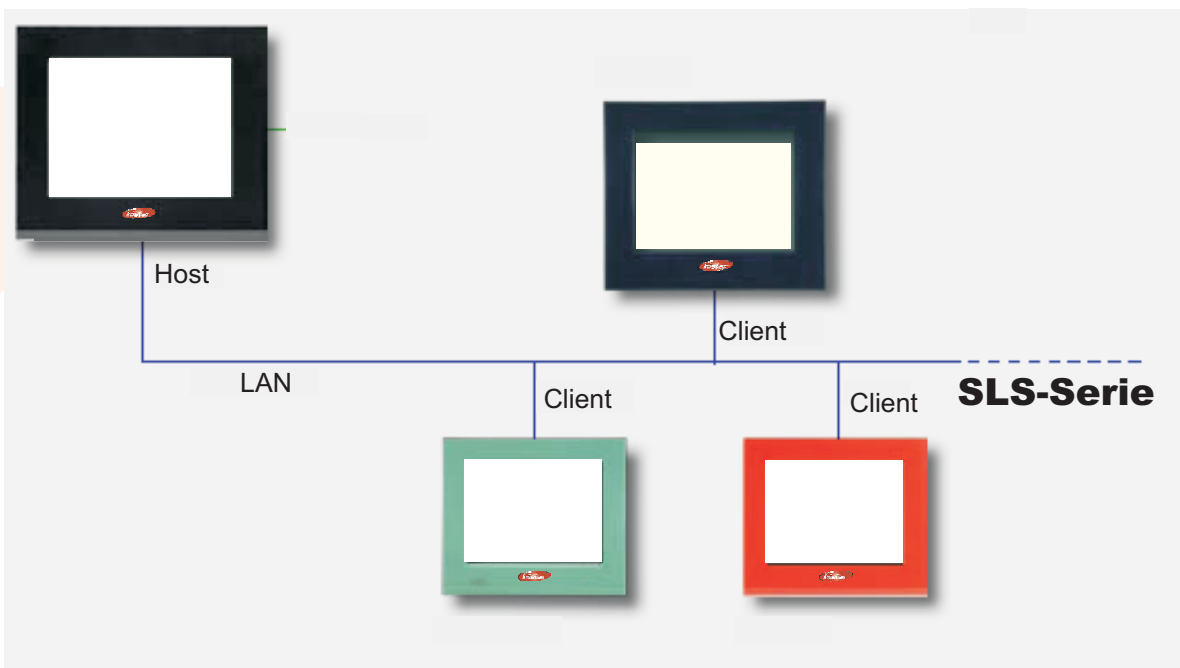
# system overview



The open system architecture with the pre-installed operating system Windows® Embedded lets the heart of each expert beat faster. Own and foreign software can easily be integrated and updated.

With the operating system XPembedded you will have all features of an embedded System and we have taken care for a minimum of storage volume for a system which is fast, secure and robust. Your visualization and control application for the building and facilities will be save.

All day, all night, the whole year!





# HTPC-670S

## overview



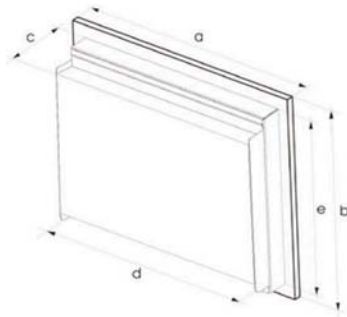
- ◆ Intel® processor
- ◆ Low mounting depth
- ◆ High power efficiency
- ◆ High performance
- ◆ Intel PRO Chipset
- ◆ Dual display architecture
- ◆ Gigabit LAN

The HTPC-S Series is the pinnacle of compact design in industrial PC technology. The system is compatible with any software package and suitable for any application. It is the ideal platform for HMI and SCADA applications.

The modular design guarantees you a maximum in configuration and a various selection of different options. All reasonable characteristics for the use in a industrial environments we have already integrated: base and acid resistant, IP65/NEMA4, etc.

Top Quality and performance!

Size	15"	17"	19"	21"
a	400	460	472	540
b	310	360	383	440
c	90	95	95	110
d	370	429	440	509
e	290	337	363	406
<b>Weight</b>	ca. 10 kg	ca. 12 kg	ca. 13 kg	ca. 15 kg



## specification

<b>Product type</b>	Compact Panel PC
<b>General characteristics</b>	
processor	Intel® Celeron M 1,5GHz Dothan
Chipset	Intel® 82852GM
memory	1 GB DDR RAM
expansion slots	1 PCI-Slot, 1 Mini PCI-Slot
operating system	Windows XP professional
power supply	90-264Vac auto range
power consumption	100W, efficiency up to 88%
mass memory	2,5" HDD at 20GB
<b>Interfaces</b>	
LAN/Ethernet	10/100/1000 Mbps
USB	5xUSB 2.0 (2xexternal), 3x(internal)
serial interface	2x RS232, 16 Bytes FIFO
parallel interface	1xLPT1 (EPP/ECP/SPP)
keyboard/mouse	2x PS/2
display	1 free VGA port, dual display architecture
<b>Ambient Conditions</b>	
temperature	+5°C to +45°C
relative humidity	5% to 80% at 25°C
vibration resistance	0,67G (5-500Mhz)

## ordering information

part no	display	resolution	housing types
<b>HTPC-670S-15</b>	15" TFT-Display	1024x768 Pixel	special
<b>HTPC-670S-17</b>	17" TFT-Display	1280x1024 Pixel	special
<b>HTPC-670S-19</b>	19" TFT-Display	1280x1024 Pixel	special
<b>HTPC-670S-21</b>	21" TFT-Display	1600x1200 Pixel	special

\*Also other hardware and software configurations are available



# HPC-600S

## overview

- ◆ Long term availability
- ◆ High performance
- ◆ Low mounting depth
- ◆ High configuration flexibility
- ◆ High grade industrial components
- ◆ PCI-Slot for expansions

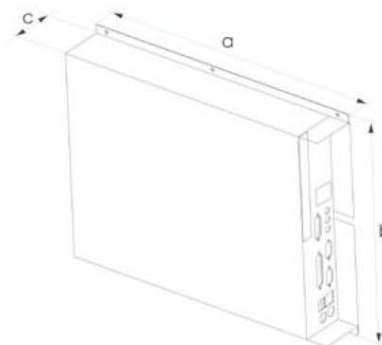


The demand for qualities of industrial PC's are as various as their application. In an application is a system without fan a "must" in the others maximum performance belongs. How the entitlement to benefits design and flexibility also belong so. Therefore, HIQUEL in its modular concept has moved the " front UNIT " from the " PC UNIT " as a separable system. Every " PC UNIT " can act as an independent unity.

Display unities like the HM-200 or the Histar-200 can be connected in different sizes. Not only ergonomic operator panels can be thereby generated, also damages can be turned away from the PC UNIT already in the approach.

HPC is called the solution if the industrial PC in the switch cabinet should be mounted. The HPC leaves open no wishes in the design and configuration!

Dimensions	
a	368
b	289
c	85
Weight	ca. 7 kg



## specification

<b>Product type</b>	Compact box PC
<b>General characteristics</b>	
processor	Intel® Pentium 4 > 2,0GHz
chipset	Intel® FW82845GV
memory	1 GB DDR RAM
expansion slots	1 PCI-Slot
operating systems	Windows XP professional
power supply	115/230Vac switchable
power consumption	220W
mass memory	2,5" HDD at 20GB
optical drives	CD-Rom
<b>Interfaces</b>	
LAN/Ethernet	10/100 Mbps
USB	6xUSB 2.0 (2x ext., 4x int.)
serial interface	2x RS232 (1x ext., 1x int.)
parallel interface	1xLPT1 (EPP/ECC)
keyboard/mouse	2x PS/2
video interface	1xVGA
<b>Ambient Conditions</b>	
temperature	+5°C to +45°C
relative humidity	5% to 80% at 25°C
vibration resistance	0,67G (5-500Mhz)

## ordering information

part no	housing types
HPC-600S	special

\*Also other hardware and software configurations are available





# HTPC-870E

## overview

- ◆ **high reliability**
- ◆ **Ultra compact dimensions**
- ◆ **Low mounting depth**
- ◆ **Very low power requirements**
- ◆ **Intel Pentium Prozessor**
- ◆ **Extreme high stability of operating system**
- ◆ **Motionless, no moving parts**

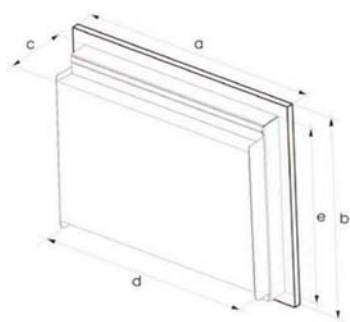


The maintenance-free and extremely efficient embedded HTPC-E family combines the frontUNIT with intelligentUNIT to a robust embedded PC.

The HTPC-E family offers you the ideal partner for the latest automation environment. A universal panel system will help you create and implement the most varied automation solutions.

With the operating system Microsoft WindowsXP embedded we have a save system for every application.

size	12"	15"	17"	19"	21"
a	400	400	460	472	540
b	310	310	360	383	440
c	90	90	95	95	110
d	370	370	429	440	509
e	290	290	337	363	406
weight	ca. 10 kg	ca. 10 kg	ca. 12 kg	ca. 13 kg	ca. 15 kg



## specification

<b>Product type</b>	Compact embedded Panel PC
<b>General characteristics</b>	
processor	Intel Pentium M Dothan, 2MB L2C start from 725 - 1,6GHz fan
chipset	Intel 82852GM GMCH+ 82801DB ICH4
memory	1 GB DDR RAM
expansion slot	1 PCI-Slot, 1 Mini PCI-Slot
operating system	Windows XP embedded
power supply	90-264 Vac auto range
power consumption	40W with 15" display
mass memory	DOM at 512MB
additional drives	CFC-Adapter
<b>Interfaces</b>	
LAN/Ethernet	Intel Pro GIGABIT LAN
USB	5x USB 2.0
serial interface	2x RS-232, 16 Bytes FIFO
keyboard/mouse	2x PS/2
<b>Ambient Conditions</b>	
temperature	+5°C to +45°C
relative humidity	5% to 80% at 25°C
vibration resistance	15G
shock resistance	50G

## ordering information

part no	display	resolution	housing types
<b>HTPC-870E-12</b>	12" TFT-Display	800x600 Pixel	special
<b>HTPC-870E-15</b>	15" TFT-Display	1024x768 Pixel	special
<b>HTPC-870E-17</b>	17" TFT-Display	1280x1024 Pixel	special
<b>HTPC-870E-19</b>	19" TFT-Display	1280x1024 Pixel	special
<b>HTPC-870E-21</b>	21" TFT-Display	1600x1200 Pixel	special

\*Also other hardware and software configurations are available

# HPC-870E

## overview

- ◆ **High reliability**
- ◆ **Ultra compact dimensions**
- ◆ **Low mounting depth**
- ◆ **Very low power requirements**
- ◆ **AMD Geode™ processors**
- ◆ **Embedded system**
- ◆ **Extreme high stability of operating system**



The demand for qualities of industrial PC's are as various as their application. In an application is a system without fan a "must" in the others maximum performance belongs. How the entitlement to benefits design and flexibility also belong so. Therefore, HIQUEL in its modular concept has moved the " front UNIT " from the " PC UNIT " as a separable system. Every " PC UNIT " can act as an independent unity.

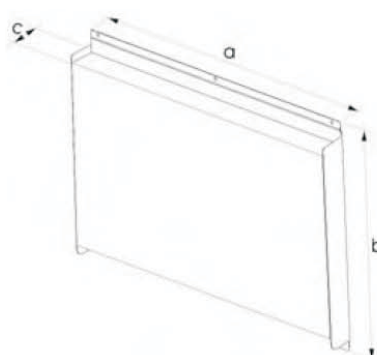
Display unities like the HM-200 or the Histar-200 can be connected in different sizes. Not only ergonomic operator panels can be thereby generated, also damages can be turned away from the PC UNIT already in the approach.

HPC is called the solution if the industrial PC in the switch cabinet should be mounted. The HPC leaves open no wishes in the design and configuration!

## specification

<b>product type</b>	Compact embedded Box PC
<b>General characteristics</b>	
processor	Intel Pentium M Dothan, 2MB L2C start from 725 - 1,6 GHz fan
chipset	Intel 82852 GM GMCH+ 82801DB ICH4
memory	1 GB DDR RAM
expansion slot	1 PCI-Slot, 1 Mini PCI-Slot
operating system	Windows XP embedded
power supply	90-264 Vac auto range
power consumption	25W
mass memory	DOM at 512MB
additional drives	CFC-Adapter
<b>Interfaces</b>	
LAN/Ethernet	Intel Pro GIGABIT LAN
USB	6x USB 2.0
serial interface	2x RS-232, 16 Bytes FIFO
keyboard/mouse	2x PS/2
video interface	1x VGA Port
<b>Ambient Conditions</b>	
temperature	+5°C to +45°C
relative humidity	5% to 80% at 25°C
vibration resistance	15G
shock resistance	50G

Dimensions	
a	368
b	289
c	55
Weight	ca. 6 kg



## ordering information

<b>part no</b>	<b>housing types</b>
HPC-870E	special

\*Also other hardware and software configurations are available





# Histar-870E

## overview



- ◆ Home PC with industrial hardware
- ◆ Easy assembly and installation
- ◆ Interchange of various design frames
- ◆ Graphic and touch screen interface
- ◆ Various connectable
- ◆ High performance with Windows XP embedded

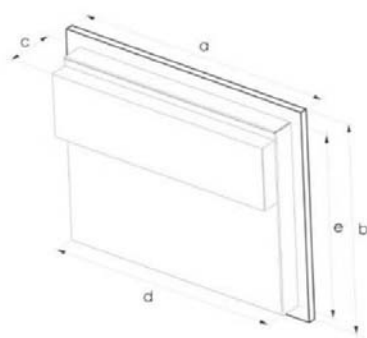
HIQUEL offers with the product family HISTAR various products. With HISTAR PC-Touch you will have all advantages of the HISTAR product range and the boundaryless freedom to integrate your own software ideas.

With the operating system WindowsXP embedded you will have all features of an embedded System and we have taken care for a minimum of storage volume for a system which is fast, secure and robust.

Your visualization and control application for the building and facilities will be save.

All day, all night, the whole year!

Size	15"	19"
Cut-Out MUxx	399x336x90	472x410x90
Outside with frame	425x365x25	497x435x25
Weight	ca. 9 kg	ca. 11 kg



## specification

<b>product type</b>	Compact embedded Box PC
<b>General characteristics</b>	
processor	Intel Pentium M Dothan, 2MB L2C start from 725 - 1,6 GHz fan
chipset	Intel 82852 GM GMCH+ 82801DB ICH4
memory	1 GB DDR RAM
expansion slot	1 PCI-Slot, 1 Mini PCI-Slot
operating system	Windows XP embedded
power supply	90-264 Vac auto range
power consumption	25W
mass memory	DOM 2GB
additional drives	CFC-Adapter
<b>Interfaces</b>	
LAN/Ethernet	Intel Pro GIGABIT LAN
USB	6x USB 2.0
serial interface	2x RS-232, 16 Bytes FIFO
keyboard/mouse	2x PS/2
video interface	1x VGA Port
<b>Ambient Conditions</b>	
temperature	+5°C to +45°C
relative humidity	5% to 80% at 25°C
vibration resistance	15G
shock resistance	50G

## ordering information

Ordering information of the frames you can find on page 1:51.

part no	display	resolution	Histar-Audio	housing types
<b>Histar-870E-15</b>	15" TFT-Display	1024x768 Pixel	no	special
<b>Histar-870E-19</b>	19" TFT-Display	1280x1024 Pixel	no	special
<b>Histar-870E-15-M</b>	15" TFT-Display	1024x768 Pixel	yes	special
<b>Histar-870E-19-M</b>	19" TFT-Display	1280x1024 Pixel	yes	special

\*Also other hardware and software configurations are available

\*Delivery without frame.

# HTPC-850E

## overview

- ◆ High performance
- ◆ High grade industrial components
- ◆ VIA C7 processor
- ◆ 1 GB RAM
- ◆ Via PCI-Slot and CF-Card Adapter expandable
- ◆ Save softwaresystem with WindowsXP embedded
- ◆ no moving parts



The maintenance-free and extremely efficient embedded HTPC-E family combines the frontUNIT with intelligentUNIT to a robust embedded PC.

The HTPC-E family offers you the ideal partner for the latest automation environment. A universal panel system will help you create and implement the most varied automation solutions.

With the operating system Microsoft WindowsXP embedded we have a save system for every application.

## specification

<b>Product type</b>	Compact embedded Panel PC
<b>General characteristics</b>	
processor	VIA C7 1Ghz fanless
chipset	VIA CN700 + 8237R plus
memory	1 GB DDR RAM
expansion slots	1 PCI Slot
operating system	Windows XP embedded
power supply	90-260Vac fanless
power consumption	35W with 15" Display
mass memory	DOM 2GB
additional drives	Compact Flash Reader
<b>Interfaces</b>	
LAN/Ethernet	2x 10/100Mbps
USB	4x USB 2.0
serial interface	1x RS232
parallel interface	1x LPT1 (EPP/ECP/SPP)
keyboard/mouse	2x PS/2
<b>Ambient Conditions</b>	
temperature	+5°C to +45°C
relative humidity	5% to 80% at 25°C
vibration resistance	15G
shock resistance	50G

Size	15"	17"	19"	21"
a	400	460	472	540
b	310	360	383	440
c	90	95	95	110
d	370	429	440	509
e	290	337	363	406
<b>Weight</b>	ca. 10 kg	ca. 12 kg	ca. 13 kg	ca. 15 kg



## ordering information

part no	display	resolution	housing types
<b>HTPC-850E-15</b>	15" TFT-Display	1024x768 Pixel	special
<b>HTPC-850E-17</b>	17" TFT-Display	1280x1024 Pixel	special
<b>HTPC-850E-19</b>	19" TFT-Display	1280x1024 Pixel	special
<b>HTPC-850E-21</b>	21" TFT-Display	1600x1200 Pixel	special

\*Also other hardware and software configurations are available





# HPC-850E

## overview



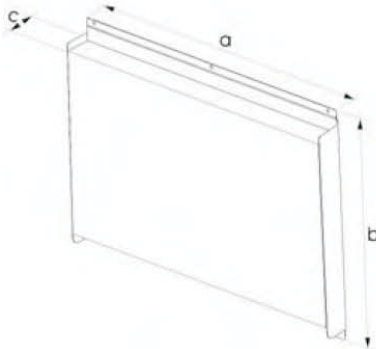
- ◆ High performance
- ◆ High grade industrial components
- ◆ VIA C7 processor
- ◆ 1 GB RAM
- ◆ Via PCI-Slot and CF-Card Adapter expandable
- ◆ Save softwaresystem with WindowsXP embedded
- ◆ no moving parts

The demand for qualities of industrial PC's are as various as their application. In an application is a system without fan a "must" in the others maximum performance belongs. How the entitlement to benefits design and flexibility also belong so. Therefore, HIQUEL in its modular concept has moved the " front UNIT " from the " PC UNIT " as a separable system. Every " PC UNIT " can act as an independent unity.

Display unities like the HM-200 or the Histar-200 can be connected in different sizes. Not only ergonomic operator panels can be thereby generated, also damages can be turned away from the PC UNIT already in the approach.

HPC is called the solution if the industrial PC in the switch cabinet should be mounted. The HPC leaves open no wishes in the design and configuration!

Dimensions	
a	368
b	289
c	55
<b>Weight</b>	ca. 6 kg



## specification

<b>Product type</b>	Compact embedded box PC
<b>General characteristics</b>	
processor	VIA C7 1Ghz fanless
chipset	VIA CN700 + 8237R plus
memory	1 GB DDR RAM
expansion slots	1 PCI Slot
operating system	Windows XP embedded
power supply	90-260Vac fanless
power consumption	20W
mass memory	DOM 2GB
additional drives	Compact Flash Reader
<b>Interfaces</b>	
LAN/Ethernet	2x 10/100Mbps
USB	4x USB 2.0
serial interface	1x RS232
parallel interface	1x LPT1 (EPP/ECP/SPP)
keyboard/mouse	2x PS/2
video interface	1x VGA-Port
<b>Ambient Conditions</b>	
temperature	+5°C to +45°C
relative humidity	5% to 80% at 25°C
vibration resistance	15G
shock resistance	50G

## ordering information

part no	housing types
HPC-850E	special

\*Also other hardware and software configurations are available

# Histar-850E

## overview

- ◆ Home PC with industrial hardware
- ◆ Easy assembly and installation
- ◆ Interchange of various design frames
- ◆ Graphic and touch screen interface
- ◆ Various connectable
- ◆ High performance with Windows XP embedded
- ◆ no moving parts



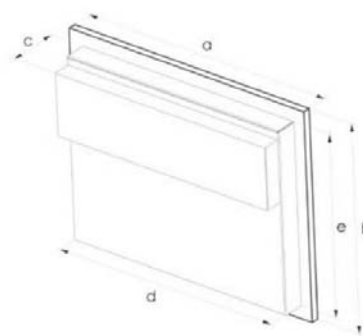
HIQUEL offers with the product family HISTAR various products. With HISTAR PC-Touch you will have all advantages of the HISTAR product range and the boundaryless freedom to integrate your own software ideas.

With the operating system WindowsXP embedded you will have all features of an embedded System and we have taken care for a minimum of storage volume for a system which is fast, secure and robust.

Your visualization and control application for the building and facilities will be save.

All day, all night, the whole year!

Size	15"	19"
Cut-Out MUxx	399x336x90	472x410x90
Outside with frame	425x365x25	497x435x25
Weight	ca. 9 kg	ca. 11 kg



## specification

<b>Product type</b>	embedded PC for wall mount
<b>General characteristics</b>	
processor	VIA C7 1Ghz fanless
Chipset	VIA CN700 + 8237R plus
memory	1 GB DDR RAM
expansion slots	1 PCI Slot
operating system	Windows XP embedded
power supply	90-260Vac fanless
power consumption	35W with 15" Display
mass memory	DOM 2GB
additional drives	Compact Flash Reader
<b>Interfaces</b>	
LAN/Ethernet	10/100Mbps
USB	7x USB 2.0 (1x ext., 4x int. 2x front accessible)
serial interface	2x RS232 (1x ext., 1x int.)
parallel interface	1x LPT1 (EPP/ECP/SPP)
keyboard/mouse	2x PS/2
<b>Ambient Conditions</b>	
temperature	+5°C to +45°C
relative humidity	5% to 80% at 25°C
vibration resistance	15G
shock resistance	50G

## ordering information

Ordering information you can find on page 1:51.

part no	display	resolution	Histar-Audio	housing types
<b>Histar-850E-15</b>	15" TFT-Display	1024x768 Pixel	no	special
<b>Histar-850E-19</b>	19" TFT-Display	1280x1024 Pixel	no	special
<b>Histar-850E-15-M</b>	15" TFT-Display	1024x768 Pixel	yes	special
<b>Histar-850E-19-M</b>	19" TFT-Display	1280x1024 Pixel	yes	special

\*Also other hardware and software configurations are available

\*Delivery without frame.







# Histar-200

## overview

- ◆ **Low profile**
- ◆ **Luminosity up to 430cd/m<sup>2</sup>**
- ◆ **Contrast up to 800:1**
- ◆ **Screen size 15" and 19"**
- ◆ **VGA- or DVI- Interface**

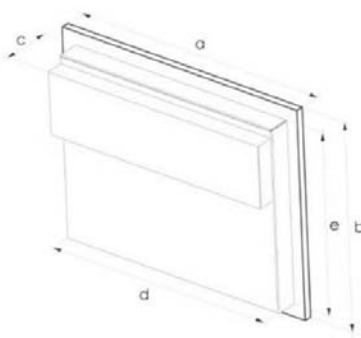


Monitor concepts are used especially if there is not enough space for HMI units, panel PC's or CRT screens in the enclosure or the operator desk.

In combination with the HIQUEL PC BOX a complete PC based system can be configured.

Histar-200 industrial monitors we deliver with highbrightness TFT displays in a range from 15" up to 21" and integrated Touch Screen.

Size	15"	19"
Cut-Out MUxx	399x336x90	472x410x90
Outside with frame	425x365x25	497x435x25
<b>Weight</b>	ca. 5 kg	ca. 7 kg



## specification

<b>Product type</b>	Compact industrial monitor
<b>General characteristics</b>	
power supply	90-264 Vac autorange
power consumption	30W for 15" display
<b>Front unit</b>	
MTBF backlight tubes	50.000 h
method of operating	resistive Touchscreen,
	6 wire technology
rating	IP65 according EN 60529
touchcontroller	USB
<b>Interfaces</b>	
VGA/DVI	VGA or DVI-Output
Touch	USB
<b>Ambient Conditions</b>	
temperature	+5°C to +45°C
relative humidity	5% to 80% at 25°C
vibration resistance	0,67G (5-500Mhz)
shock resistance	300G/2ms

## ordering information

Ordering information you can find on page 1:51.

part no	display	resolution	Histar-Audio	housing types
<b>Histar-200-15-VGA</b>	15" TFT-Display	1024x768 Pixel	no	special
<b>Histar-200-15-DVI</b>	15" TFT-Display	1024x768 Pixel	no	special
<b>Histar-200-15-VGA-M</b>	15" TFT-Display	1024x768 Pixel	yes	special
<b>Histar-200-15-DVI-M</b>	15" TFT-Display	1024x768 Pixel	yes	special
<b>Histar-200-19-VGA</b>	19" TFT-Display	1280x1024 Pixel	no	special
<b>Histar-200-19-DVI</b>	19" TFT-Display	1280x1024 Pixel	no	special
<b>Histar-200-19-VGA-M</b>	19" TFT-Display	1280x1024 Pixel	yes	special
<b>Histar-200-19-DVI-M</b>	19" TFT-Display	1280x1024 Pixel	yes	special

\*Also other hardware and software configurations are available

\*Delivery without frame

X01.00

# HM-200

## overview

- ◆ **Low profile**
- ◆ **Luminosity up to 430cd/m<sup>2</sup>**
- ◆ **Contrast up to 800:1**
- ◆ **Screen size from 15" to 21"**
- ◆ **VGA- or DVI- Interface**



## specification

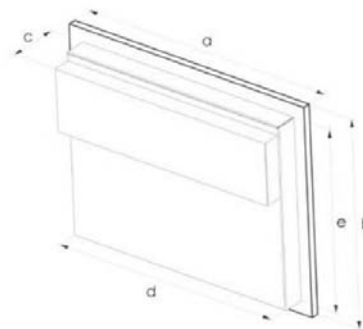
<b>Product type</b>	Compact industrial monitor
<b>General characteristics</b>	
power supply	90-264 Vac autorange
power consumption	30W for 15" display
<b>Front unit</b>	
MTBF backlight tubes	50.000 h
method of operating	resistive Touchscreen, 6 wire technology
rating	IP65 according EN 60529
touchcontroller	USB
<b>Interfaces</b>	
VGA/DVI	VGA or DVI-Output
Touch	USB
<b>Ambient Conditions</b>	
temperature	+5°C to +45°C
relative humidity	5% to 80% at 25°C
vibration resistance	0,67G (5-500Mhz)
shock resistance	300G/2ms

Monitor concepts are used especially if there is not enough space for HMI units, panel PC's or CRT screens in the enclosure or the operator desk.

In combination with the HIQUEL PC BOX a complete PC based system can be configured.

HM 200 industrial monitors we deliver with highbrightness TFT displays in a range from 15" up to 21" and integrated Touch Screen.

Size	15"	17"	19"	21"
a	400	460	472	540
b	310	360	383	440
c	115	120	120	135
d	370	429	440	509
e	290	337	363	406
<b>Weight</b>	ca. 4 kg	ca. 5 kg	ca. 6 kg	ca. 7 kg
<b>Luminosity</b>	430	300	300	250
<b>Contrast</b>	450:1	700:1	800:1	500:1



## ordering information

part no	display	resolution	housing types
<b>HM-200-15-VGA</b>	15" TFT-Display	1024x768 Pixel	special
<b>HM-200-15-DVI</b>	15" TFT-Display	1024x768 Pixel	special
<b>HM-200-17-VGA</b>	17" TFT-Display	1280x1024 Pixel	special
<b>HM-200-17-DVI</b>	17" TFT-Display	1280x1024 Pixel	special
<b>HM-200-19-VGA</b>	19" TFT-Display	1280x1024 Pixel	special
<b>HM-200-19-DVI</b>	19" TFT-Display	1280x1024 Pixel	special
<b>HM-200-21-VGA</b>	21" TFT-Display	1600x1200 Pixel	special
<b>HM-200-21-DVI</b>	21" TFT-Display	1600x1200 Pixel	special

\*Also other hardware and software configurations are available

