



# World of Automation

## Chapter 6: Alarming

**HIQUEL**<sup>®</sup>  
HIGH QUALITY ELECTRONICS

[www.hiquel.com](http://www.hiquel.com)



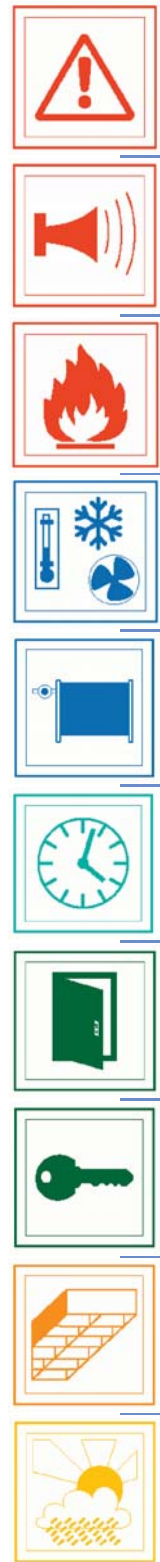
## 6

### Chapter 6: Alarming

- .01 INFO SMS-Master**
- .02 SMS-Master Starter Kits & programming**
- .03 SMS-Master and SMS-Mini Master base modules**



# SMS-Master



alarm, inform, control with SMS -Master

## Monitor and Control via SMS

The SMS-Master Controller offers a low cost solution for monitoring and controlling systems via SMS. Using digital, analogue or time events the SMS-Master sends pre-configured messages to mobile phone/s informing about operating states of machines, heating system, or other installations.

- analogue inputs with real unit scaling
- single user alert
- group user alert
- with or without report
- via SMS (text), fax or e-mail



### Applications:

- machine control
- engineer call-out
- liquid level control
- pump control
- pressure control
- heating or cooling system control
- irrigation control
- storage control
- lighting control
- traffic light control
- access control
- holiday house control
- etc...



Monitor and check your facility!

## Uninterruptable power supply

### Power failure alarm with UPS24

- ◆ UPS24, uninterruptible power supply with battery-pack
- ◆ LED indicators for power supply and actual state of wiring.
- ◆ Output 24V= / 110mAh
- ◆ Power failure alarm with UPS24 / Battery-Pack
- ◆ Power for 4 hours with UPS24 / Battery-Pack

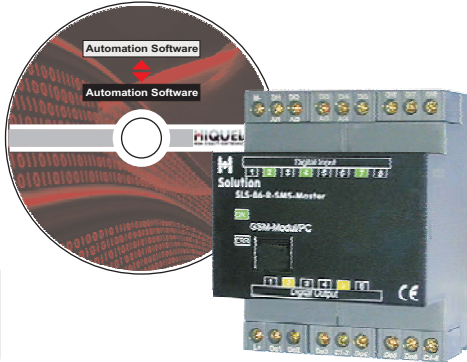


# Starter Kits

SMS-Master, SMS-MINI-Master

## overview

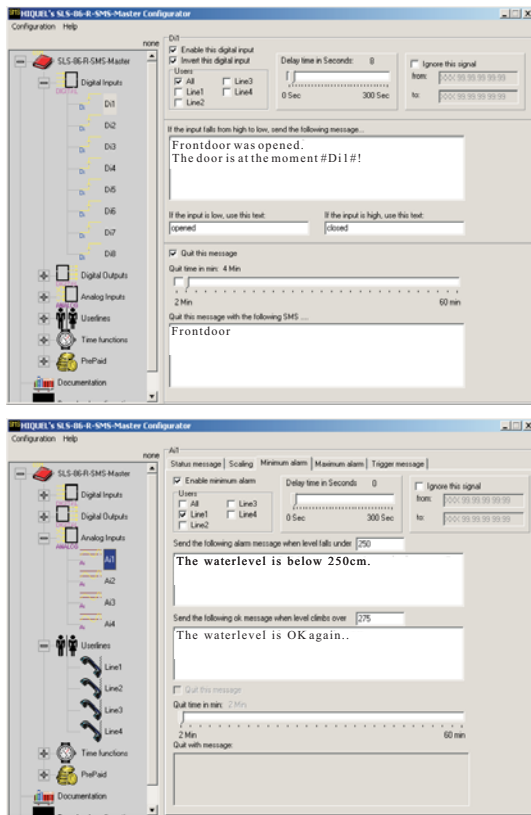
all you need to get you going - a starter kit:  
**SMS-Master and SMS-MINI-Master**



### includes:

- ◆ SLS-86-R-SMS-Master 24V= or SLS-43-R-SMS-Master 24V= basic module
- ◆ cables (programming cable, etc.)
- ◆ CD-ROM SMS-Master software
- ◆ GSM-module (modem)
- ◆ manual
- ◆ aerial

The SMS-Master is a flexible alarming and messaging system that receives and sends messages to mobile-phones, fax or e-mail. It automatically generates reports of machine operating states, such as breakdowns. Incoming text messages can control functions and interrogate I/O status, with real unit reports of analogue levels e.g. Bar, Degrees C, level in Meters etc. Both SMS master controller can be programmed to monitor the four analogue inputs for threshold violation. If threshold values are passed, a message is sent with the analogue level converted into real units. E.g. Water level in **meters**, pressure in **PSI** or **Bar**, Temperature in **°C**. Queries of analogue **signals with scaling** of current values are possible. The digital outputs can be switched on or off, or pulsed for a programmable period simply by sending a text message instruction. The SMS-Master features 8 DI or 4 AI (0-10V) & 4 DI AND 6 relay outputs, the SMS-MINI-Master has 4 DI or 2 AI (0-10V) & 2 DI AND 3 relay outputs.



### Programming with SMS-Configurator:

- ▶ all settings are executed in a dialogue oriented way
- ▶ clearly structured navigation tree shows all configuration possibilities graphically
- ▶ all messages and telephone numbers can be entered individually and changed easily at any time
- ▶ status SMS for all 4 inputs
- ▶ for each AI a scaling of the analogue signal and a min. and max. alarm threshold can be configured
- ▶ integrated real time clock for 100 days stand by
- ▶ optionally SMS can be send if a defined critical value is reached via pre-paid cards
- ▶ SMS can be send at a given time, to one or several persons simultaneously or after a defined delay time sequentially
- ▶ different modes of report:
  - each SMS can be send to up to 4 different user groups
  - each user group can contain up to 64 telephone numbers
  - each user group has different modes of alarming and reporting

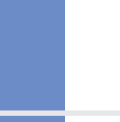
## ordering information

### part no

<b>SLS-86-R-SMS-Kit-24</b>	SLS-86-R-SMS-Master + GSM-module (modem) + SMS-Master-Software + manual + aerial
<b>SLS-86-R-SMS-Kit-12</b>	SLS-86-R-SMS-Master + GSM-module (modem) + SMS-Master-Software + manual + aerial
<b>SLS-43-R-SMS-Kit-24</b>	SLS-86-R-SMS-Master + GSM-module (modem) + SMS-Master-Software + manual + aerial
<b>SLS-43-R-SMS-Kit-12</b>	SLS-86-R-SMS-Master + GSM-module (modem) + SMS-Master-Software + manual + aerial

\* recommended power supply unit TPS3 (see catalogue 01:30)

SMS-Master and SMS-MINI-Master starter kits



# SMS-Master modules

## overview

- ◆ GSM (text) master controller
- ◆ supply voltage 24V= or 12V=
- ◆ 8 and 4 digital inputs 24V= inputs, 4 and 2 are dual digital/analogue 0-10V respectively
- ◆ 6 and 3 SPNO outputs, max. 5A respectively
- ◆ RS232 interface for programming
- ◆ LED indicators for inputs and outputs
- ◆ 4 caller groups with up to 64 dial out numbers per group, together or sequentially
- ◆ integrated RTC with 100 days back up
- ◆ credit check of your pre-paid card
- ◆ UPS24 allows sending of a message to report a power failure with 4 hour backup
- ◆ 67.5mm DIN rail mount housing
- ◆ configuration with SMS-Master software



## specification

supply voltage	24V= ±10%
power consumption	1W nominal
output relay specification	max. 5A 230V~
Ue/Ie AC-15	120V/1,5A 240V/1A
Ue/Ie DC-13	24V/1A
expected life time	SPNO
mechanical	1 x 10 <sup>7</sup> operations
electrical	1 x 10 <sup>5</sup> operations
input specification	24V= max. 5 mA
protection class	terminals IP20
	housing IP50
screws	pozidrive 1
screw tightening torque	0,6..0,8 Nm
weight	210g
dimensions	67,5 x 85 x 75mm
	*EN 60947-5-1 VDE 0435

## ordering information

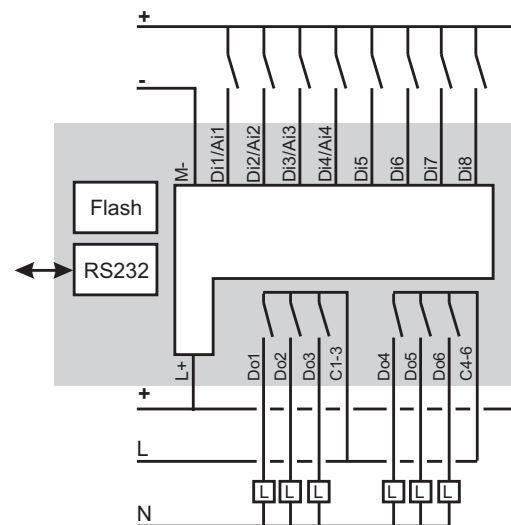
part no	supply	input	inp. galv. iso.*	output	outp. galv. iso.*	housing types
SLS-86-R-SMS-24"	24V=	8x 24V=	no	6x SPNO	yes	E
SLS-86-R-SMS-12"	12V=	8x 12V=	no	6x SPNO	yes	E
SLS-Std-RS232	download cable					
SLS-43-R-SMS-MINI-24"	24V=	4x 24V=	no	3x SPNO	yes	E
SLS-43-R-SMS-MINI-12"	12V=	4x 12V=	no	3x SPNO	yes	E
TC35-PS	Spannungsversorgungskabel für TC35					
TC35	GSM-Modul und Antenne					

\* Bestellbezeichnungen für diverse Fühler finden Sie auf Seite 3:23

\* Keine elektrische Verbindung zur Versorgung (galvanisch getrennt)

" beinhalten master modul, SMS-Config, Downloadkabel und Handbuch

SMS-Master:



SMS-MINI-Master:

