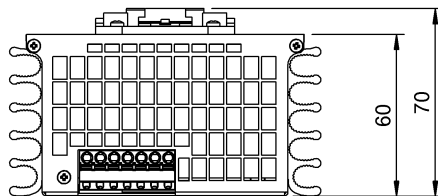
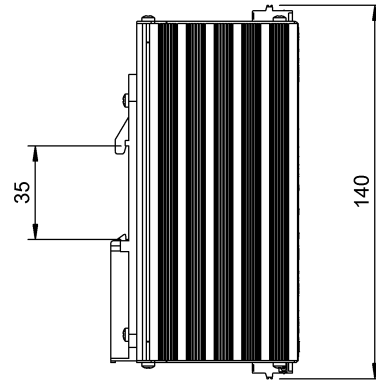
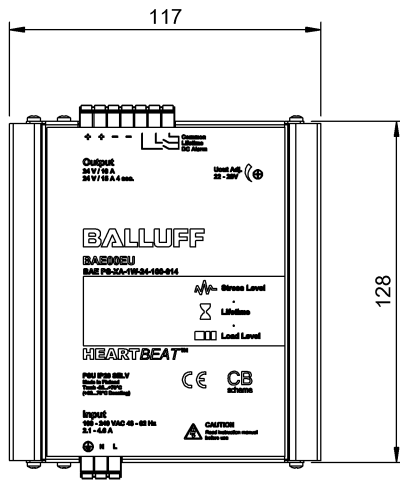


BAE PS-XA-1W-24-100-014
Ordering code: BAE00EU

Power supply

Power Supply
 Switch-mode power supply

BALLUFF
sensors worldwide



Characteristic data

Size Series PS-XA
 Indicator Load Level

Electrical data

Insulation resistance > 100 MΩ
 Off-state curr. I_r max. 250VDC 24 V DC
 Ripple 1 %
 Inrush current < 20 A
 Number of outputs 1
 Output current max. 15 A for max. 4 s
 Switching frequency f ca. 125 kHz

Mechanical data

Ambient temperature T_a min. -25 °C
 Ambient temperature T_a max. +70 °C
 Storage temperature min. -25 °C
 Storage temperature max. 85 °C
 Housing material Metal/ aluminum

Temperature coefficient max. ±0.03 % / °C
 Type HEARTBEAT
 Mounting type DIN rail mounting
 Relative humidity 5... 95 %, non-condensing
 Weight 1.15 kg
 Connection Terminal 0.2 mm²... 2.5 mm²

Basic data

Basic standard EN 61204
 Size Series PS-XA
 Short-circuit protected Sustained short circuit-proof
 Protection class I
 Values measured at +25 °C and full load
 Degree of protection as per IEC 60529 IP20
 Degree of contamination 2

Remarks

Values measured at +25 °C and full load

BAE PS-XA-1W-24-100-014
Ordering code: BAE00EU
Power supply

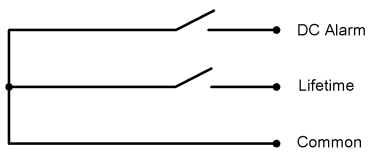
Power Supply
Switch-mode power supply

BALLUFF
sensors worldwide



Definitions see main catalog

subject to change



Max. 220V DC, 0.2A
Potential-free alarm contact

