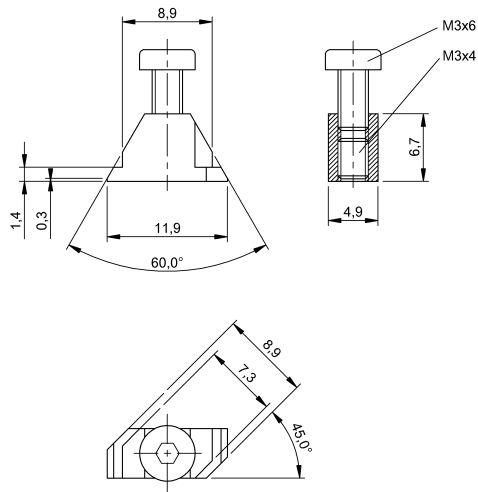


BMF 305-HW-25
Ordering code: BAM00LR
 mounting bracket

BMF Mounting clamp



Mechanical data

Tightening torque max.	1,5 Nm
Ambient temperature Ta min.	-40 °C
Ambient temperature Ta max.	85 °C
Material	Aluminum
Surface protection	Anodized
Tightening torque for clamping	1,5 Nm
Slut style	
Mounting of holder	
Mounting of sensor	

Basic data

Application	AB360
Basic standard	BMF 305
Mounting instruction	acc. to mentioned standards
Scope of delivery	824561
	Mounting parts

Remarks

Definitions see main catalog

subject to change