

# SCHLAUCHSCHELLE BMF GR. 1

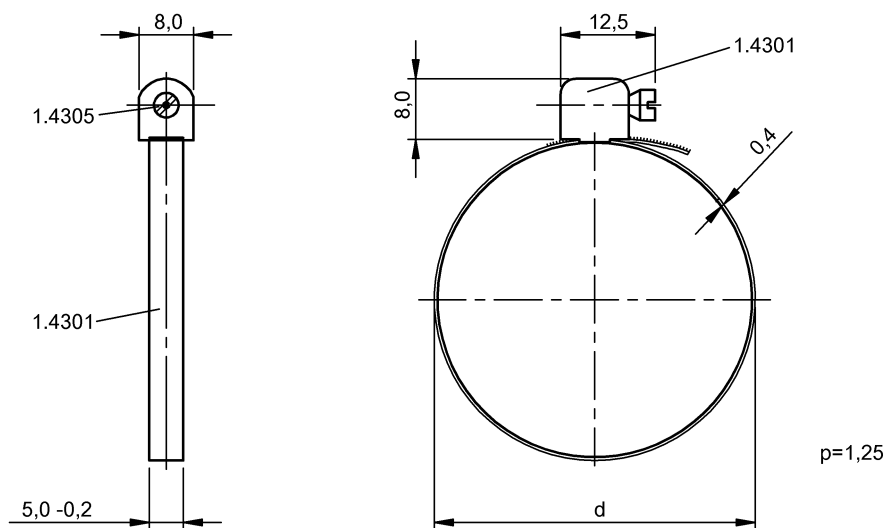
Ordering code: BAM00N3

Mechanical Accessories

Mounting clamp

# BALLUFF

sensors worldwide



### Mechanical data

Material	Stainless steel
Tightening torque for clamping	1,2 Nm
Mounting type	screwing/clamping

### Basic data

Application	Ø11-19
Scope of delivery	LU210

### Remarks

Definitions see main catalog

subject to change