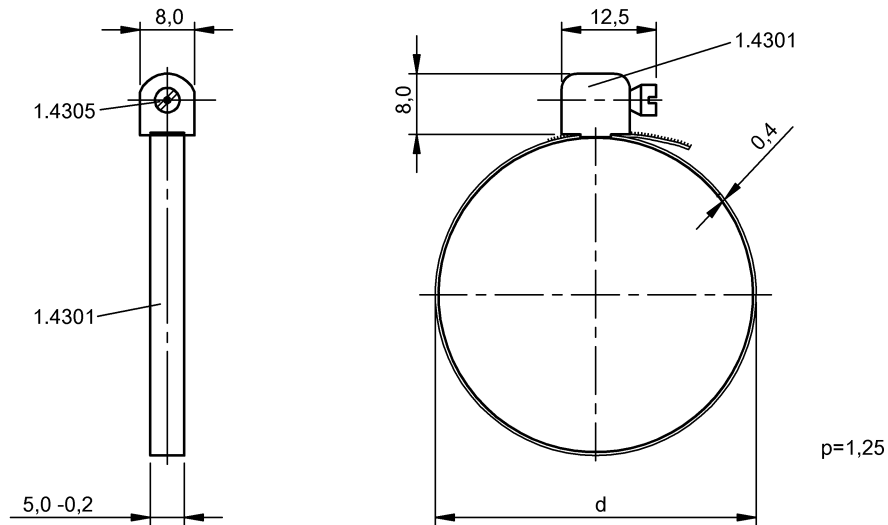


**SCHLAUCHSCHELLE BMF GR. 5**  
**Ordering code: BAM00N7**

Mechanical Accessories

Mounting clamp

**BALLUFF**  
sensors worldwide



**Mechanical data**

Material	Stainless steel
Tightening torque for clamping	1,2 Nm
Mounting type	screwing/clamping

**Basic data**

Application	Ø48-59
Scope of delivery	LU210

**Remarks**

Definitions see main catalog

subject to change