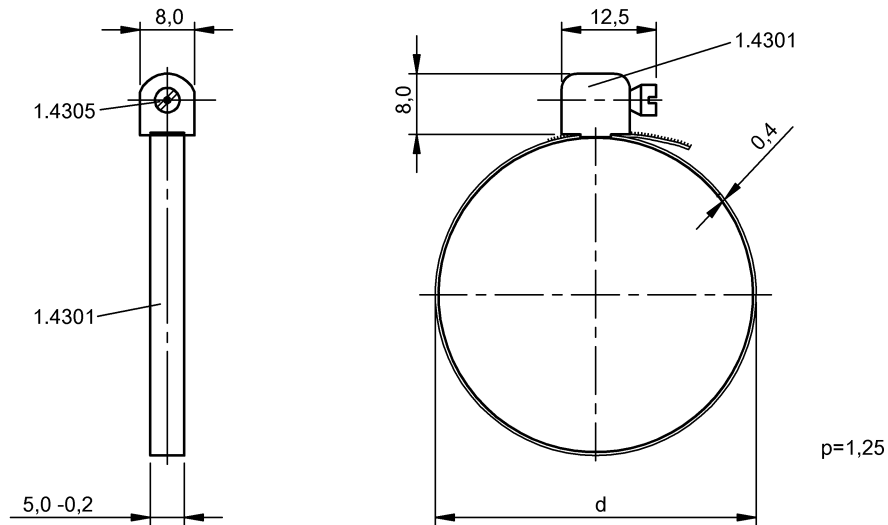


**SCHLAUCHSCHELLE BMF GR. 6**  
Ordering code: **BAM00N8**

Mechanical Accessories

Mounting clamp

**BALLUFF**  
sensors worldwide



**Mechanical data**

Material	Stainless steel
Tightening torque for clamping	1,2 Nm
Mounting type	screwing/clamping

**Basic data**

Application	Ø58-69
Scope of delivery	LU210

**Remarks**

Definitions see main catalog

subject to change