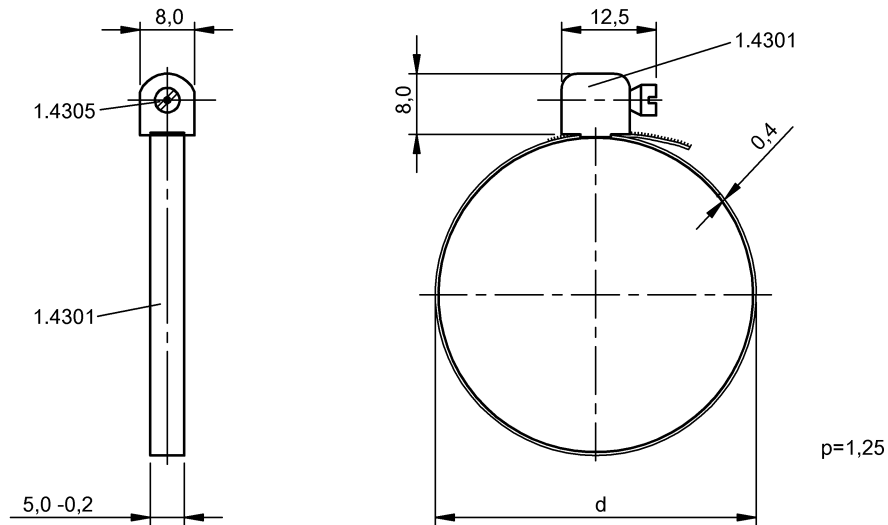


SCHLAUCHSCHELLE BMF GR. 7
Ordering code: **BAM00N9**

Mechanical Accessories

Mounting clamp

BALLUFF
sensors worldwide



Mechanical data

Material	Stainless steel
Tightening torque for clamping	1,2 Nm
Mounting type	screwing/clamping

Basic data

Application	Ø78-89
Scope of delivery	LU210

Remarks

Definitions see main catalog

subject to change