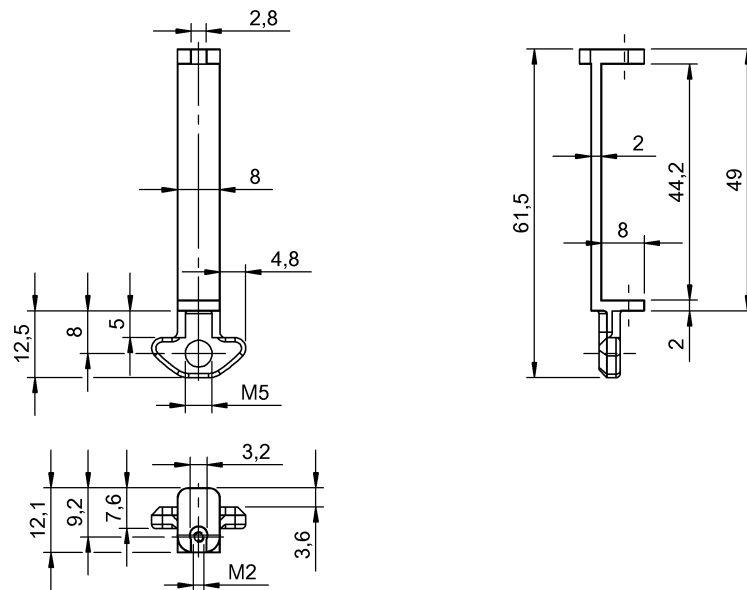


BES Q08-KH-2
Ordering code: BAM00NJ
Mechanical Accessories

Mounting clamp

BALLUFF
sensors worldwide



Mechanical data

Material
 Mounting type

CuBe2
 Item profile 8 mm slot

Basic data

Size

Series MC-XA

Application
 Scope of delivery

Use with sensors 8x8mm
 Grubscrew ISO 4027 M2x3-A2

Remarks

Definitions see main catalog

subject to change