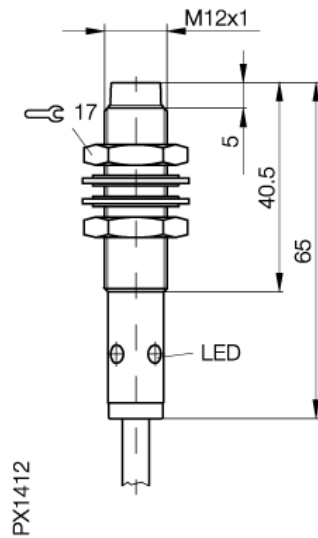


BAW M12MF2-UAC40F-BP05
Inductive Distance Sensors

1...4 mm
0...10 V

BALLUFF
sensors worldwide



Electrical data:

Connection	cable
Rated operational voltage DC	24 V
Rated insulation voltage (Ui)	250 AC
Electrical type	DC
No-load supply current I _o at I _e	10 mA
Supply voltage ripple	15 %
Switching element function	0...10 V
Supply voltage max. (U _b)	30 V
Supply voltage min. (U _b)	15 V
Output voltage s _l max	10 V
Output voltage s _l min	0 V
Cutoff frequency (-3dB output amplitude)	500 Hz
Load resistance min (R _L)	2000 Ohm
Output voltage at se	5 V
Temperature compensation	no
Linear range max (s _l)	4 mm
Linear range min (s _l)	1 mm
Non-linearity	±90 µm
Output signal	0...10 V

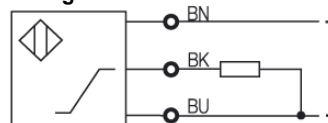
General data:

Supply voltage indicator	no
Degree of protection IP	IP 67
Insulation class	2
Polarity reversal resistant	yes
Protected against reversal	yes

Mechanical data:

Midpoint of linear range (se)	2,5 mm
Cable code designation	LifY-Y-11Y-0
Cable length	5 m
Mounting	non flush mountable
Surface treatment	nickel plated
Ambient temperature max (T _a)	70 °C
Ambient temperature min (T _a)	-10 °C
Sensing face material	PBT
Housing material	CuZn
Cable sheath material	PUR
Repeatability	3 %
Cable diameter D	5,1 mm
Midpoint tolerance at se	±0,25 mm
Working area max (s _a)	4 mm
Working area min (s _a)	0 mm
Time delay before available max	1 ms
Measurement velocity	20 m/s
Opt. working temperature max.	50 °C
Opt. working temperature min.	10 °C
Temperature coefficient max.	4,0 µm/K
Temperature coefficient min.	-2,0 µm/K
Temperature coefficient typ.	0,0 µm/K
Repeat accuracy	±10,0 µm
Adjustment indicator	yes
Working range	1...4 mm

Wiring:



www.balluff.com

Balluff Europe: +49 7158 173 -0
Balluff USA: 1-800-54 3-83 90
Balluff Asia: +86 21-50 64 41 31

Online Productinformation
2008-09-11