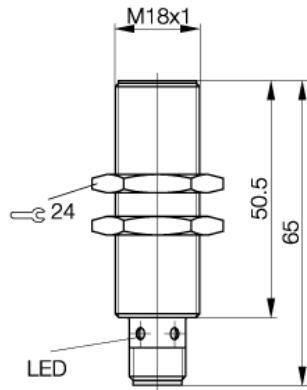


BAW M18MI-ICC50B-S04G
Inductive Distance Sensors

1...5 mm
4...20 mA

BALLUFF
sensors worldwide



PX1356

Electrical data:

Connection	connector
Rated operational voltage DC	24 V
Rated insulation voltage (Ui)	250 AC
Electrical type	DC
Supply voltage ripple	15 %
Switching element function	4...20 mA
Supply voltage max. (Ub)	30 V
Supply voltage min. (Ub)	10 V
Output current at se	12 mA
Output current at sl max	20,0 mA
Output current at sl min	4,0 mA
Cutoff frequency (-3dB output amplitude)	500 Hz
Load resistance max (RI)	500 Ohm
Temperature compensation	no
Linear range max (sl)	5 mm
Linear range min (sl)	1 mm
Non-linearity	±120 µm
Output signal	4...20 mA

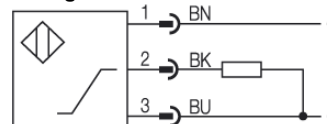
General data:

Supply voltage indicator	no
Degree of protection IP	IP 67
Insulation class	2
Recommended connector	BKS-_19/BKS-_20
Polarity reversal resistant	yes
Protected against reversal	yes

Mechanical data:

Midpoint of linear range (se)	3 mm
Connection type	M12x1-S04
Mounting	flush mountable
Surface treatment	nickel plated
Ambient temperature max (Ta)	70 °C
Ambient temperature min (Ta)	-10 °C
Sensing face material	PBTP
Housing material	CuZn
Repeatability	3 %
Working area max (sa)	5 mm
Working area min (sa)	1 mm
Time delay before available max	1 ms
Measurement velocity	40 m/s
Opt. working temperature max.	50 °C
Opt. working temperature min.	10 °C
Temperature coefficient max.	-14,0 µm/K
Temperature coefficient min.	-1,0 µm/K
Temperature coefficient typ.	-5,0 µm/K
Repeat accuracy	±8,0 µm
Adjustment indicator	yes
Working range	1...5 mm

Wiring:



Pinout:



www.balluff.com

Balluff Europe: +49 7158 173 -0
Balluff USA: 1-800-54 3-83 90
Balluff Asia: +86 21-50 64 41 31

Online Productinformation
2008-09-11