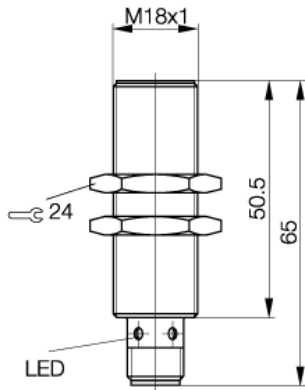


**BAW M18MI-UAC50B-S04G**  
Inductive Distance Sensors

1...5 mm  
0...10 V

**BALLUFF**  
sensors worldwide



PX1356

**Electrical data:**

Connection	connector
Rated operational voltage DC	24 V
Rated insulation voltage (Ui)	250 AC
Electrical type	DC
No-load supply current I <sub>o</sub> at I <sub>e</sub>	10 mA
Supply voltage ripple	15 %
Switching element function	0...10 V
Supply voltage max. (U <sub>b</sub> )	30 V
Supply voltage min. (U <sub>b</sub> )	15 V
Output voltage s <sub>l</sub> max	10 V
Output voltage s <sub>l</sub> min	0 V
Cutoff frequency (-3dB output amplitude)	500 Hz
Load resistance min (R <sub>L</sub> )	2000 Ohm
Output voltage at s <sub>e</sub>	5 V
Temperature compensation	no
Linear range max (s <sub>l</sub> )	5 mm
Linear range min (s <sub>l</sub> )	1 mm
Non-linearity	±120 μm
Output signal	0...10 V

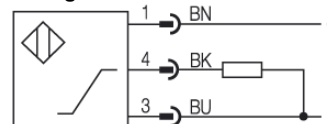
**General data:**

Supply voltage indicator	no
Degree of protection IP	IP 67
Insulation class	2
Recommended connector	BKS-_19/BKS-_20
Polarity reversal resistant	yes
Protected against reversal	yes

**Mechanical data:**

Midpoint of linear range (s <sub>e</sub> )	3 mm
Connection type	M12x1-S04
Mounting	flush mountable
Surface treatment	nickel plated
Ambient temperature max (T <sub>a</sub> )	70 °C
Ambient temperature min (T <sub>a</sub> )	-10 °C
Sensing face material	PBTP
Housing material	CuZn
Repeatability	3 %
Working area max (s <sub>a</sub> )	5 mm
Working area min (s <sub>a</sub> )	1 mm
Time delay before available max	1 ms
Measurement velocity	40 m/s
Opt. working temperature max.	50 °C
Opt. working temperature min.	10 °C
Temperature coefficient max.	-8,0 μm/K
Temperature coefficient min.	1,0 μm/K
Temperature coefficient typ.	-2,0 μm/K
Repeat accuracy	±8,0 μm
Adjustment indicator	yes
Working range	1...5 mm

**Wiring:**



**Pinout:**



[www.balluff.com](http://www.balluff.com)

Balluff Europe: +49 7158 173 -0  
Balluff USA: 1-800-54 3-83 90  
Balluff Asia: +86 21-50 64 41 31

Online Productinformation  
2008-09-11