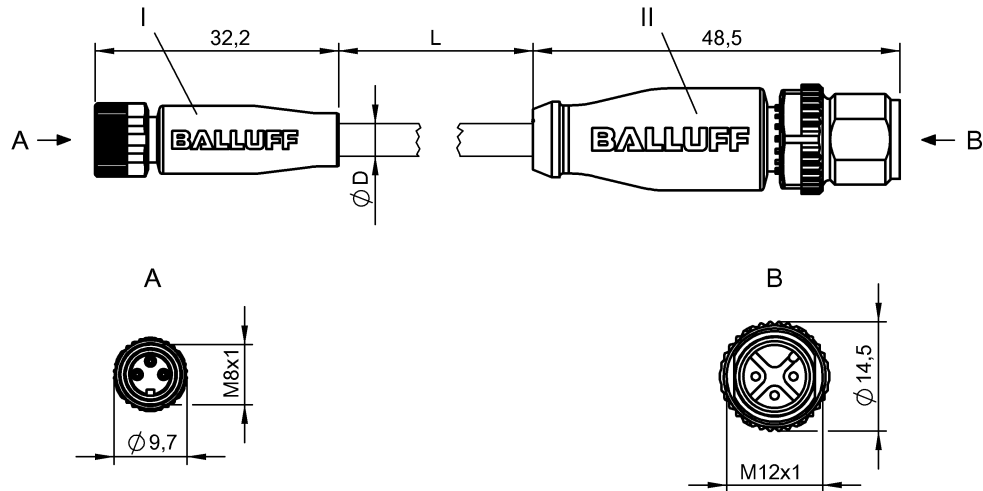


**BCC M313-M413-3E-300-VX8334-010**  
**Ordering code: BCC03HH**

Connecting line

**M08x1 / M12x1, 1m, PVC**  
**No**  
**Normally open (NO)**

**BALLUFF**  
*sensors worldwide*



#### Characteristic data

Special properties	Drag chain compatible
Power-on indicator	No / No
Degree of protection as per IEC 60529	IP67 / IP68
Cable jacket colour	gray
Special version	No
Function indicator (PIN 4)	No / No

#### Electrical data

Operating voltage UB max. AC	60 V
Operating voltage UB max. DC	60 V

#### Mechanical data

Number of conductors	3
Cable length	1 m
Connector type	M08x1 / M12x1
Conductor cross-section	0.34 mm <sup>2</sup>
Ambient temp. min. (drag chain)	-5 °C
Ambient temp. max. (drag chain)	60 °C
Ambient temp. min. (fixed)	-25 °C
Ambient temp. max. (fixed)	105 °C
Ambient temp. min. (moving)	-5 °C
Ambient temp. max. (moving)	105 °C
Sealing ring material	Viton
Cable jacket material	PVC
Acceleration max. (drag chain)	5 m/s <sup>2</sup>

Bending radius fixed cable	min. 5 x D
Bending radius repeated	min. 10 x D
Contact material	CuZn / CuZn
Contact carrier material	PUR / PUR
Cover nut material	GD-Zn / GD-Zn
Grip material	PUR / PUR
Permiss. horizon. traverse dist.	at 5 m/sec <sup>2</sup> 5 m
Traverse speed max (drag chain)	at 5 m horiz. travel 200 m/min
Permiss. vert. traverse dist.	at 5 m/sec <sup>2</sup> 2 m
Contact surface protection	Gold plated
Tightening torque pigtail	0.4 Nm / 0.6 Nm
Design	straight
Bending cycles (in million)	> 2 Mio.
Cable diameter D	4.5 +/- 0.15 mm
System	molded / molded
Number of sockets or pins	3 / 3
Connector style (Head I)	Plug M8
Connector type (Head II)	Connector M12

#### Basic data

#### Remarks

Additional features 1	Drag chain compatible
Enclosure type accord. to IEC 60529, when threaded together with the appropriate counterpart.	
Cable structure according to UL-AWM Style 2517	

Definitions see main catalog

subject to change

**BCC M313-M413-3E-300-VX8334-010**  
**Ordering code: BCC03HH**

Connecting line

M08x1 / M12x1, 1m, PVC  
No  
Normally open (NO)

**BALLUFF**  
*sensors worldwide*

