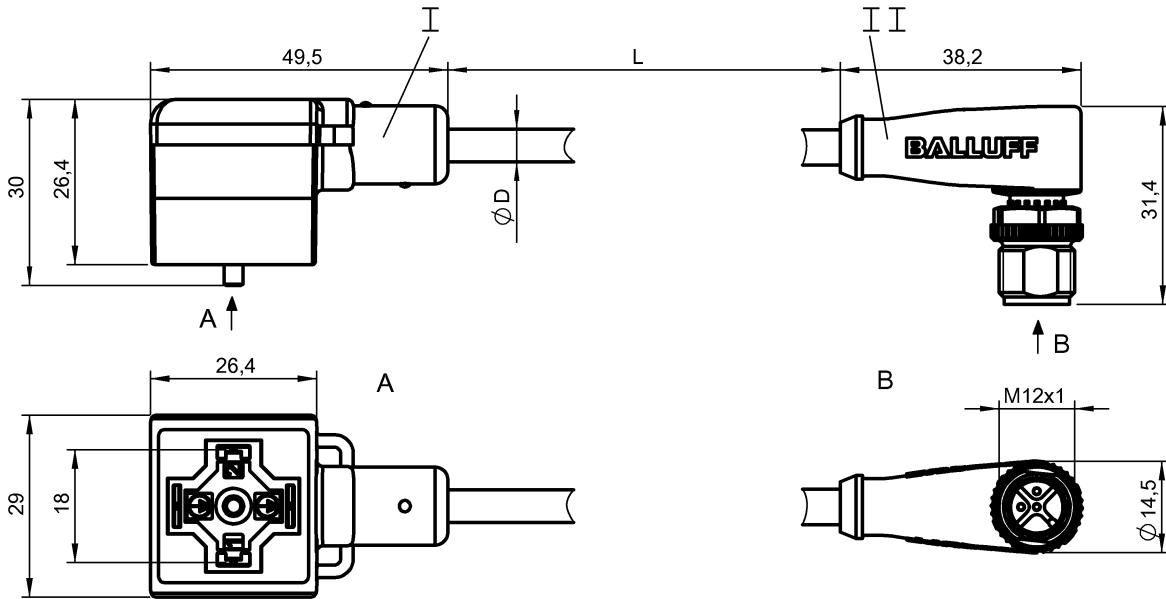


Connecting line



Characteristic data

Special properties	Drag chain compatible
Function indicator	LED yellow / No
Degree of protection as per IEC 60529	IP67 / IP68
Cable jacket colour	black

Electrical data

Operating voltage UB max. AC	24 V
Operating voltage UB max. DC	24 V
Suppressor	Suppressor diode
Rated current (40 °C)	4.0 A

Mechanical data

Number of conductors	3
Cable length	1,5 m
Connector type	Type A* / M12x1
Conductor cross-section	0.50 mm ²
Ambient temp. min. (drag chain)	-25 °C
Ambient temp. max. (drag chain)	60 °C
Ambient temp. min. (fixed)	-25 °C
Ambient temp. max. (fixed)	90 °C
Ambient temp. min. (moving)	-25 °C
Ambient temp. max. (moving)	80 °C
Cable jacket material	PUR
Acceleration max. (drag chain)	5 m/s ²
Bending radius fixed cable	min. 5 x D
Bending radius repeated	min. 10 x D
Contact material	CuSn / CuZn

Contact carrier material	PA6.6 / PUR
Cover nut material	GD-Zn
Grip material	TPU / PUR
Permiss. horizon. traverse dist.	at 5 m/sec ² 5 m
Traverse speed max (drag chain)	at 5 m horiz. travel 200 m/min
Permiss. vert. traverse dist.	at 5 m/sec ² 2 m
Contact surface protection	Silver / gold plated
Tightening torque pigtail	- / 0.6 Nm
Design	angled
Bending cycles (in million)	> 2 Mio.
Cable diameter D	4.6 +/- 0.10 mm
System	molded / molded
Number of sockets or pins	4 / 3
Torsional stress of cable	±180° / m
Locking screw material	Steel
Connector style (Head I)	Valve plug A 18
Connector type (Head II)	Connector M12

Basic data

Remarks

Additional features 1	Drag chain compatible
Enclosure type accord. to IEC 60529, when threaded together with the appropriate counterpart.	
Halogen-free per IEC 60754-1	
Cable structure according to UL-AWM Style 20549	
Flame-resistant per IEC 332+2	
* Type A per EN 175301-803	

Definitions see main catalog

subject to change

BCC VA04-M423-3E-664-PX0350-015
Ordering code: BCC04YK

Connecting line

Type A* / M12x1, 1,5m, PUR

BALLUFF
sensors worldwide

