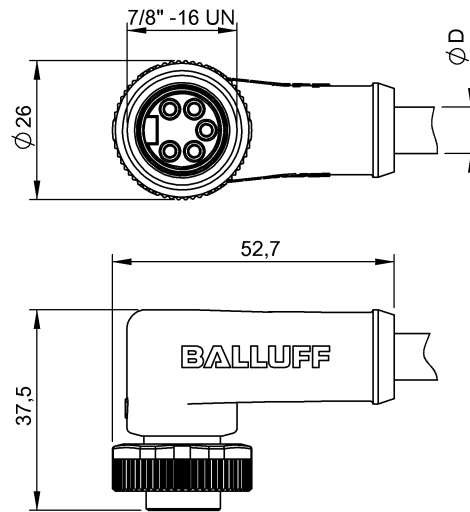


BCC A325-0000-10-063-PX05A5-020
Ordering code: BCC06HH

Connector

7/8", 2m, PUR
 No
 Complementary (NO/NC)

BALLUFF
sensors worldwide



Characteristic data

Special properties	Drag chain compatible
Power-on indicator	No
Degree of protection as per IEC 60529	IP68
Cable jacket colour	black
Special version	No
Function indicator (PIN 2)	No
Function indicator (PIN 4)	No

Electrical data

Operating voltage UB max. AC	300 V
Operating voltage UB max. DC	300 V
Rated current (40 °C)	9.0 A

Mechanical data

Number of conductors	5
Cable length	2 m
Connector type	7/8"
Conductor cross-section	1.5 mm ²
Ambient temp. min. (drag chain)	-20 °C
Ambient temp. max. (drag chain)	60 °C
Ambient temp. min. (fixed)	-20 °C
Ambient temp. max. (fixed)	80 °C
Ambient temp. min. (moving)	-20 °C
Ambient temp. max. (moving)	60 °C
Sealing ring material	Viton
Cable jacket material	PUR

Acceleration max. (drag chain)	20 m/s ²
Bending radius fixed cable	min. 7.5 x D
Bending radius repeated	min. 10 x D
Contact material	CuZn
Contact carrier material	PUR
Cover nut material	GD-Zn
Grip material	PUR
Permiss. horizon. traverse dist.	2 m
Traverse speed max (drag chain)	200 m/min
Permiss. vert. traverse dist.	5 m
Contact surface protection	Gold plated
Tightening torque pigtail	1.5 Nm
Bending cycles (in million)	> 2 Mio.
Cable diameter D	8.7 +/- 0.20 mm
System	molded
Number of sockets or pins	5
Connector style (Head I)	Plug 7/8"

Basic data

Remarks

Enclosure type accord. to IEC 60529, when threaded together with the appropriate counterpart.
 Halogene Free per DIN-VDE 0472 part 815
 Cable structure according to UL-AWM Style 20234
 Flame resistant per IEC 60332-1-2

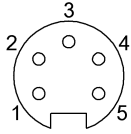
Definitions see main catalog

subject to change

BCC A325-0000-10-063-PX05A5-020
Ordering code: BCC06HH
Connector

7/8", 2m, PUR
No
Complementary (NO/NC)

BALLUFF
sensors worldwide



- 1 _____
- 2 _____
- 3 _____
- 4 _____
- 5 _____