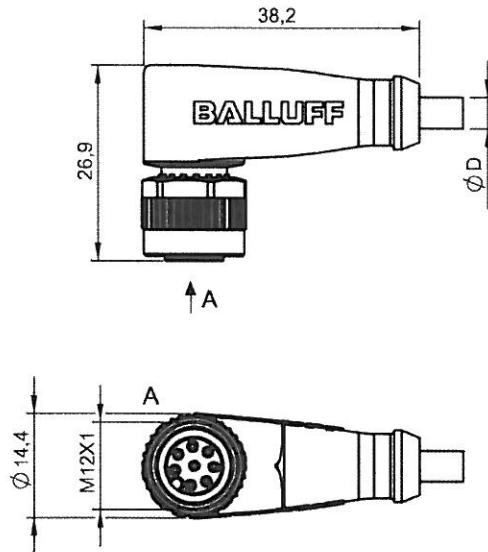


BCC M428-0000-1A-044-PX0825-100
 Order code: BCC06K6

Plug M12
 Number of conductors: 8

BALLUFF
sensors worldwide



Electrical data

Operating voltage UB max. DC 30,0 V
 Operating voltage UB max. AC 30,0 V
 Switching output No

Mechanical data

System molded
 Connector type M12x1
 Tightening torque pigtail 0,6 Nm
 Number of female/male pins 8
 Power indicator No
 Function indicator (PIN 4) No
 Function indicator (PIN 2) No
 Enclosure Type per IEC 60529 IP68
 Grip material PUR
 Contact material CuZn
 Contact carrier material PUR
 Cover nut material GD-Zn

Cable

Number of conductors 8

Conductor cross-section 0,25 mm²
 Cable jacket material PUR
 Cable jacket color black
 Cable diameter D 6,0 +/- 0,20 mm
 Cable length 10,00 m
 Ambient temp. (moving) -25 °C... 80 °C
 Ambient temp. (fixed) -50 °C... 80 °C
 Bending radius tensioned cable min. 10 x D
 Bending radius fixed cable min. 5 x D
 Bending cycles > 2 Mio.
 Acceleration max. (drag chain) 5 m/s²
 Traverse speed max(drag chain) at 5 m horiz. travel 200 m/min
 Permiss.horizon. traverse dist at 5 m/sec² 5 m
 Permiss.vert. traverse dist at 5 m/sec² 2 m
 Ambient temp. (drag chain) -25 °C... 60 °C

General

Enclosure type accord. to IEC 60529, when threaded together with the appropriate counterpart.
 Flame resistant per IEC 332-2
 Cable structure according to UL-AWM Style 20549

Definitions see general catalog

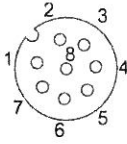
Subject to change without notice.

0000000000000178724/0000000000

BCC M428-0000-1A-044-PX0825-100
Order code: BCC06K6

Plug M12
Number of conductors: 8

BALLUFF
sensors worldwide



PIN 1: white
PIN 2: green
PIN 3: yellow
PIN 4: gray
PIN 5: brown
PIN 6: pink
PIN 7: blue
PIN 8: red

- 1 _____
- 2 _____
- 3 _____
- 4 _____
- 5 _____
- 6 _____
- 7 _____
- 8 _____

000000000000178724/0000000000