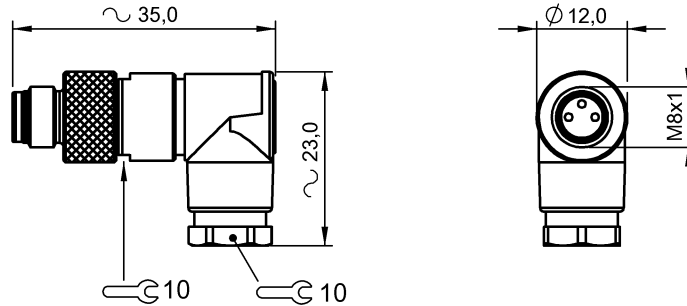


BCC M343-0000-20-000-34X325-000
Ordering code: BCC06Z0

Solder connection, M08x1

BALLUFF
sensors worldwide

Field-wired connector



Characteristic data

Power-on indicator No
Degree of protection as per IEC 60529 IP67

Electrical data

Connection type Solder connection
Operating voltage UB max. AC 60 V
Operating voltage UB max. DC 60 V
Rated current (40 °C) 4.0 A

Mechanical data

Wire cross-section max. 0.34 mm²
Connector type M08x1
Ambient temperature Ta min. -25 °C
Ambient temperature Ta max. 85 °C
Wire cross-section min. 0.14 mm²
Cable diameter min. 3,5

Cable diameter max. 5
Contact material CuZn
Contact carrier material PA
Cover nut material CuZn
Grip material PBT
Contact surface protection CuSnZn
Tightening torque pigtail 0.4 Nm
System user assembly
Number of sockets or pins 3
Connector style (Head I) Connector M8
Type of wire mounting Solder connections

Basic data

Remarks

Enclosure type accord. to IEC 60529, when threaded together with the appropriate counterpart.

Definitions see main catalog

subject to change

