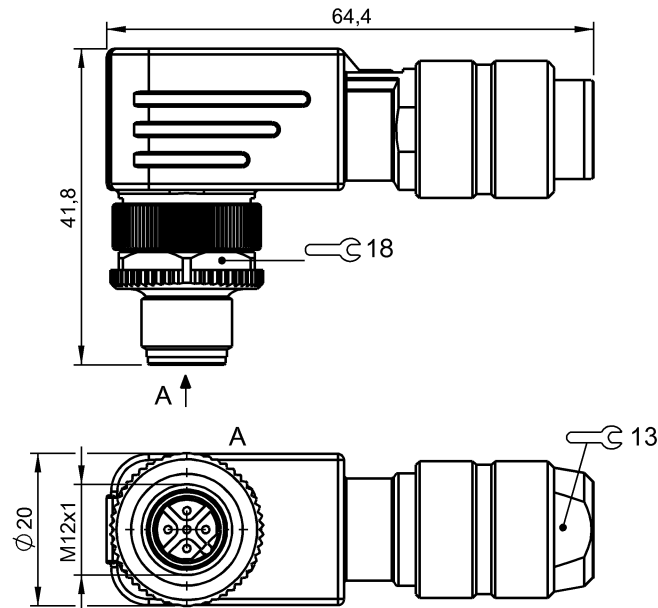


Field-wired connector



Characteristic data

| | |
|---------------------------------------|------|
| Power-on indicator | No |
| Function indicator | No |
| Degree of protection as per IEC 60529 | IP67 |

Electrical data

| | |
|------------------------------|-------|
| Operating voltage UB max. AC | 250 V |
| Operating voltage UB max. DC | 250 V |
| Rated current (40 °C) | 4.0 A |

Mechanical data

| | |
|-----------------------------|----------------------|
| Wire cross-section max. | 0.75 mm ² |
| Connector type | M12x1 |
| Ambient temperature Ta min. | -25 °C |
| Ambient temperature Ta max. | 85 °C |
| Ambient temp. min. (moving) | -20 °C |
| Ambient temp. max. (moving) | 60 °C |
| Sealing ring material | Viton |

| | |
|---------------------------|-------------------------|
| Wire cross-section min. | 0.14 mm ² |
| Cable diameter min. | 5 |
| Cable diameter max. | 8 |
| Contact material | CuZn |
| Contact carrier material | PA |
| Cover nut material | GD-Zn |
| Grip material | Zinc diecasting (GD-Zn) |
| Tightening torque pigtail | 0.6 Nm |
| System | user assembly |
| Number of sockets or pins | 5 |
| Type of wire mounting | Screw terminals |

Basic data

Remarks

Enclosure type accord. to IEC 60529, when threaded together with the appropriate counterpart.

Definitions see main catalog

subject to change

