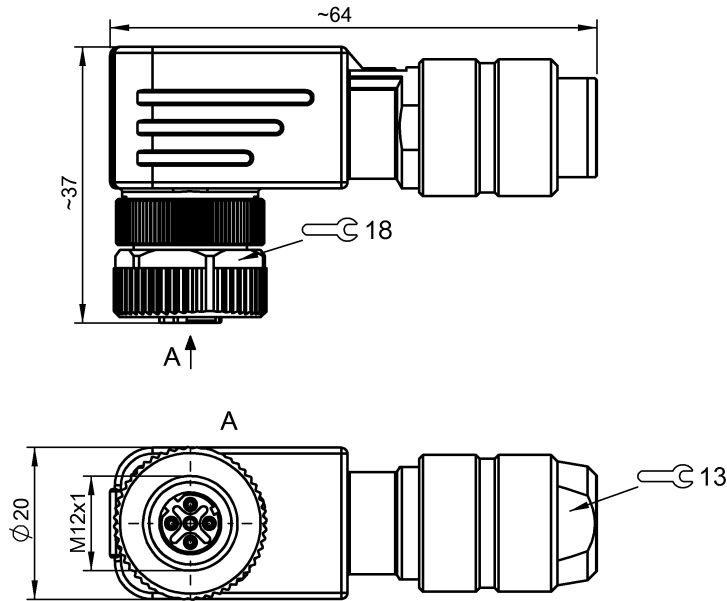


BCC M485-0000-1B-000-01X575-000
Ordering code: BCC0717

M12x1

BALLUFF
sensors worldwide

Field-wired connector



Characteristic data

Power-on indicator No
 Function indicator No
 Degree of protection as per IEC 60529 IP67

Electrical data

Operating voltage UB max. AC 250 V
 Operating voltage UB max. DC 250 V
 Rated current (40 °C) 4.0 A

Mechanical data

Wire cross-section max. 0.75 mm²
 Connector type M12x1
 Ambient temperature Ta min. -25 °C
 Ambient temperature Ta max. 85 °C
 Ambient temp. min. (moving) -20 °C
 Ambient temp. max. (moving) 60 °C
 Sealing ring material Viton

Wire cross-section min. 0.14 mm²
 Cable diameter min. 5
 Cable diameter max. 8
 Contact material CuZn
 Contact carrier material PA
 Cover nut material GD-Zn
 Grip material Zinc diecasting (GD-Zn)
 Tightening torque pigtail 0.6 Nm
 System user assembly
 Number of sockets or pins 5
 Type of wire mounting Screw terminals

Basic data

Remarks

Enclosure type accord. to IEC 60529, when threaded together with the appropriate counterpart.

Definitions see main catalog

subject to change

