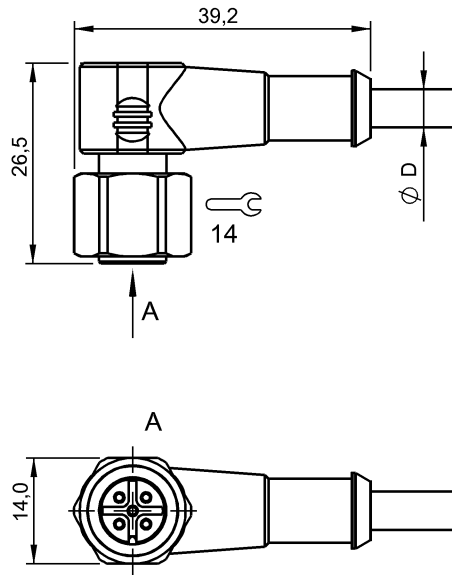


BCC S425-0000-1A-004-PX0334-100
Ordering code: BCC08CR

Connector

M12x1, 10m, PUR
PNP
Normally open (NO)

BALLUFF
sensors worldwide



Characteristic data

Special properties	Stainless steel nut, Drag chain compatible
Power-on indicator	LED green
Degree of protection as per IEC 60529	IP69K
Cable jacket colour	black
Function indicator (PIN 4)	LED yellow

Electrical data

Operating voltage UB max. DC	30 V
Rated current (40 °C)	4.0 A

Mechanical data

Number of conductors	3
Cable length	10 m
Connector type	M12x1
Conductor cross-section	0.34 mm ²
Ambient temp. min. (drag chain)	-25 °C
Ambient temp. max. (drag chain)	60 °C
Ambient temp. min. (fixed)	-25 °C
Ambient temp. max. (fixed)	80 °C
Ambient temp. min. (moving)	-25 °C
Ambient temp. max. (moving)	80 °C
Sealing ring material	Viton
Cable jacket material	PUR

Acceleration max. (drag chain)	5 m/s ²
Bending radius fixed cable	min. 5 x D
Bending radius repeated	min. 10 x D
Contact material	CuZn
Contact carrier material	PUR
Cover nut material	1.4404
Grip material	PUR
Permiss. horizon. traverse dist.	at 5 m/sec ² 5 m
Traverse speed max (drag chain)	at 5 m horiz. travel 200 m/min
Permiss. vert. traverse dist.	at 5 m/sec ² 2 m
Tightening torque pigtail	0.6 Nm
Bending cycles (in million)	> 2 Mio.
Cable diameter D	4.3 +/- 0.20 mm
System	molded
Number of sockets or pins	5

Basic data

Remarks

Additional features 1 Drag chain compatible
 Enclosure type accord. to IEC 60529, when threaded together with the appropriate counterpart.
 Flame resistant per IEC 332-2
 Cable structure according to UL-AWM Style 21198
 Halogen-free per DIN VDE 0472 Part 815

Definitions see main catalog

subject to change

BCC S425-0000-1A-004-PX0334-100
Ordering code: BCC08CR
Connector

M12x1, 10m, PUR
PNP
Normally open (NO)

BALLUFF
sensors worldwide

