

BCC M425-0000-1A-008-VX8434-030

Ordering code: BCC08MM

Connector

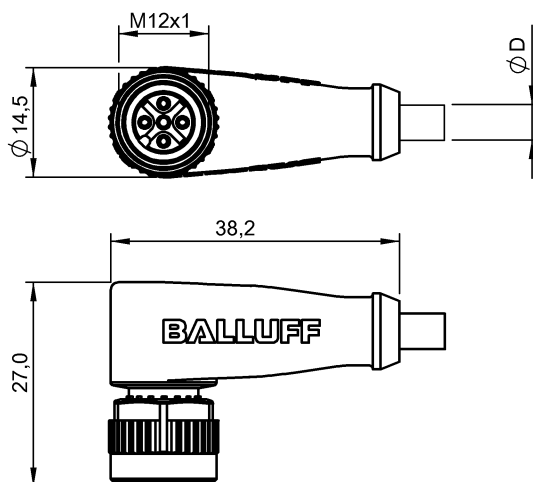
M12x1, 3m, PVC

PNP

Complementary (NO/NC)

BALLUFF

sensors worldwide



Characteristic data

Special properties	Drag chain compatible
Power-on indicator	LED green
Degree of protection as per IEC 60529	IP68
Cable jacket colour	gray
Special version	No
Function indicator (PIN 2)	No
Function indicator (PIN 4)	LED yellow

Electrical data

Operating voltage UB max. DC	30 V
------------------------------	------

Mechanical data

Number of conductors	4
Cable length	3 m
Connector type	M12x1
Conductor cross-section	0.34 mm ²
Ambient temp. min. (drag chain)	-5 °C
Ambient temp. max. (drag chain)	60 °C
Ambient temp. min. (fixed)	-25 °C
Ambient temp. max. (fixed)	105 °C
Ambient temp. min. (moving)	-5 °C
Ambient temp. max. (moving)	105 °C
Sealing ring material	Viton
Cable jacket material	PVC

Acceleration max. (drag chain)	5 m/s ²
Bending radius fixed cable	min. 5 x D
Bending radius repeated	min. 10 x D
Contact material	CuZn
Contact carrier material	PUR
Cover nut material	GD-Zn
Grip material	PUR
Permiss. horizon. traverse dist.	at 5 m/sec ² 5 m
Traverse speed max (drag chain)	at 5 m horiz. travel 200 m/min
Permiss. vert. traverse dist.	at 5 m/sec ² 2 m
Contact surface protection	Gold plated
Tightening torque pigtail	0.6 Nm
Design	angled
Bending cycles (in million)	> 2 Mio.
Cable diameter D	4.8 +/- 0.15 mm
System	molded
Number of sockets or pins	5

Basic data

Remarks

Additional features 1	Drag chain compatible
Enclosure type accord. to IEC 60529, when threaded together with the appropriate counterpart.	
Cable structure according to UL-AWM Style 2517	

Definitions see main catalog

subject to change

BCC M425-0000-1A-008-VX8434-030
Ordering code: BCC08MM
Connector

M12x1, 3m, PVC
PNP
Complementary (NO/NC)

BALLUFF
sensors worldwide

