

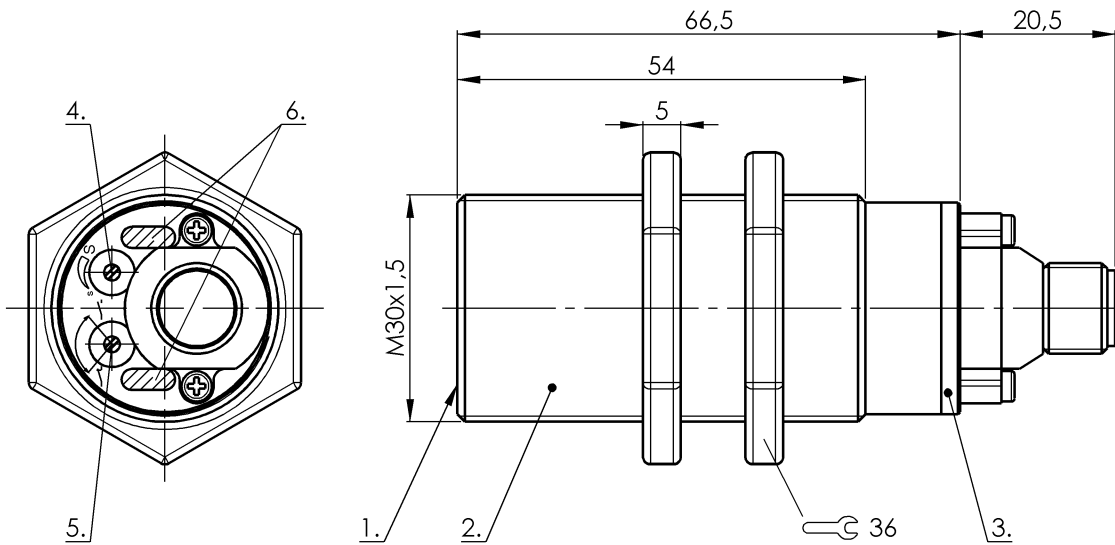
**BCS M30B4M2-PPM20C-S04G**  
**Ordering code: BCS004T**

Capacitive sensor  
M30

**BALLUFF**

sensors worldwide

Connector, M12x1-S04  
Working range 1...20 mm  
Output signal PNP, Output programmable



1) Active surface, 2) Housing, 3) Top cover, 4) Pot, 5) NO or NC selectable, 6) LED function indicator

**Characteristic data**

Trade name / Technology	Standard
Power indicator	Yes
Function indicator	Yes
Short-circuit protected	Yes
Protected against polarity reversal	
Protected against miswiring	Yes

**Electrical data**

Electrical version	DC, direct current
Operating voltage	10...35 V DC
Effective operating current I <sub>e</sub>	300 mA
Rated insulation voltage U <sub>i</sub>	75 V DC
Voltage drop static max.	1,8 V
Ripple max. (% of U <sub>e</sub> )	10
Switching freq. f max.	100 Hz
Hysteresis H max. (in % of S <sub>r</sub> )	15 %

**Mechanical data**

Rated operating distance S <sub>n</sub>	20 mm
Temp. drift max. (% of S <sub>r</sub> )	20
Ambient temperature	-30...70 °C
Housing material	1.4301
Sensing surface material	PBT
Cover material	PBT / PE
Repeat accur. R max. (% of S <sub>r</sub> )	5 %
Tightening torque	90 Nm

**Basic data**

Enclosure Type per IEC 60529	IP66/IP64 on connector output
Basic standard	IEC 60947-5-2
Utilisation category	DC 13

**Remarks**

Scope of delivery	2 nuts
-------------------	--------



IND. CONT. EQ. 81U2  
for use in the secondary of  
a class 2 source of supply

