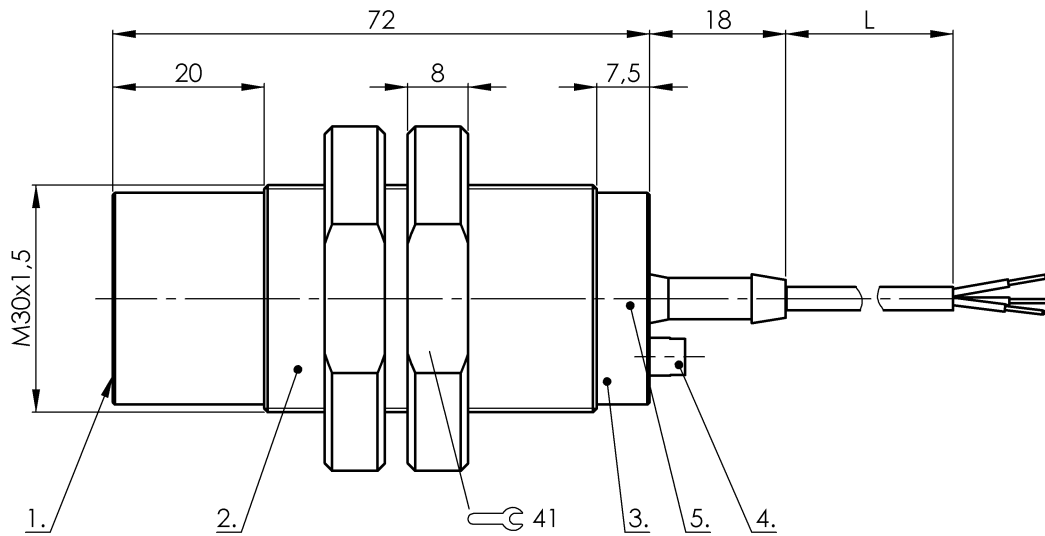


**BCS M30TTH2-PSC30G-AT02**  
**Ordering code: BCS0077**

Capacitive sensor

Cable, 2m, PTFE  
 Working range 2...30 mm  
 Output signal PNP, Normally open (NO)  
 non-flush

**BALLUFF**  
 sensors worldwide



1) Active surface, 2) Housing, 3) Top cover, 4) Pot, 5) LED function indicator

**Characteristic data**

Technology	Standard
Special properties	Teflon housing
Short-circuit protected	Yes
Protected against reverse connection	Yes

**Electrical data**

Electrical version	DC, direct current
Operating voltage	10...35 V DC
Effective operating current I <sub>e</sub>	300 mA
Rated insulation voltage U <sub>i</sub>	75 V DC
No-load current I <sub>0</sub> damped	10 mA
Voltage drop static max.	1,5 V
Ripple max. (% of U <sub>e</sub> )	10 %
Switching freq. f max.	100 Hz
Hysteresis H max. (in % of S <sub>r</sub> )	10 %

**Mechanical data**

Rated operating distance S <sub>n</sub>	30 mm
Number of conductors	3

Conductor cross-section	0,20 mm <sup>2</sup>
Temp. drift max. (% of S <sub>r</sub> )	15
Ambient temperature	-30...70 °C
Housing material	PTFE
Sensing surface material	PTFE
Cable jacket material	PTFE
Cover material	PTFE
Repeat accur. R max. (% of S <sub>r</sub> )	2 %
Tightening torque max.	2 Nm

**Basic data**

Degree of protection as per IEC 60529	IP67
Basic standard	IEC 60947-5-2
Utilisation category	DC 13

**Remarks**

Scope of delivery	2 nuts
-------------------	--------

