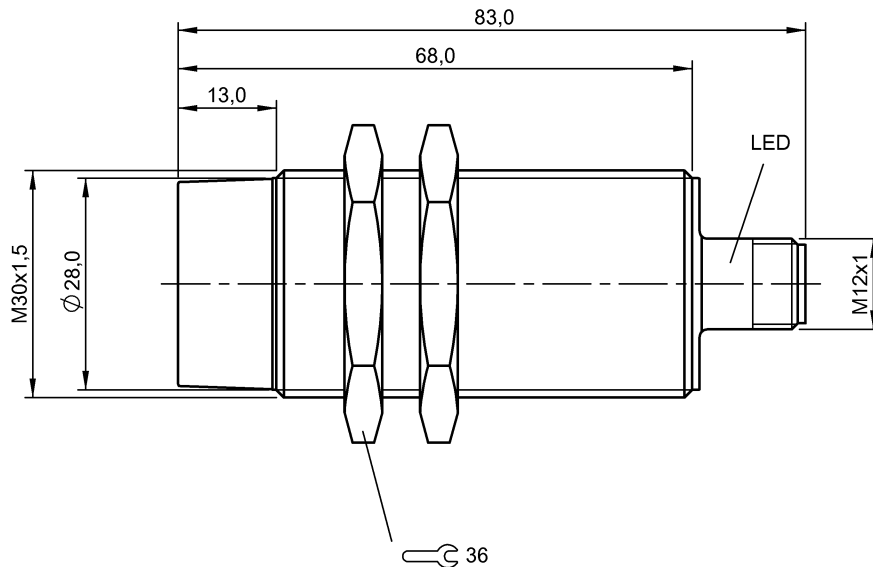


BES M30MM-PSC30F-S04K
Ordering code: BES00AZ

Inductive sensor
M30x83 mm
GlobalProx

DC, direct current
PNP/Normally open (NO)
Sn = 30 mm
Non embeddable

BALLUFF
sensors worldwide



Characteristic data

Eff. switching distance Sr	30 mm
Tolerance Sr	±10 %
Assured operating distance Sa	24 mm
Hysteresis H max. (in % of Sr)	20 %
Repeat accur. R max. (% of Sr)	5 %
Ambient temperature	-25...70 °C
Temp. drift max. (% of Sr)	10%
Switching freq. f max.	300 Hz
Ready delay tv max.	20 ms
Utilisation category	DC 13
Function indicator	Yes
Power-on indicator	No
Short-circuit protected	Yes
Degree of protection as per IEC 60529	IP67
Protected against polarity reversal	Yes
Protected against reverse connection	Yes

Electrical data

Operating voltage	24 V
Rated operating voltage Ue DC	24 V
Ripple max. (% of Ue)	15 %
Voltage drop static max.	2,5 V
Rated insulation voltage Ui	250 AC V
Effective operating current Ie	200 mA
No-load current Io damped	10 mA
No-load current Io undamped	3 mA

Off-state current Ir max.	10 µA
Minimum operating current Im	0 mA
Rated short circuit current	100 A
Output resistance Ra	33.0k + D
Load capacitance max. (at Ue)	0,5 µF
Principle of operation	Inductive

Mechanical data

Housing material	Brass
Surface protection	Nickel-free coating
Sensing surface material	PBT
Tightening torque max.	70 Nm
Mounting length	55 mm
Connection type	Connector
Connector type	M12x1-S04
Shock rating	Shock, half-sinus, 30 gn, 11ms
Vibration rating	55 Hz, 1 mm ampl., 3x30 min
Degree of contamination	3

Basic data

Basic standard	IEC 60947-5-2
----------------	---------------

Remarks

The sensor is functional again after the overload has been eliminated.
Unshielded: See installation instructions for inductive sensors with extended switching distance 853924.
With connector, e.g. BKS-S 20-... total length = switch length +18 mm.



Definitions see main catalog

subject to change

BES M30MM-PSC30F-S04K
Ordering code: BES00AZ

Inductive sensor
M30x83 mm
GlobalProx

DC, direct current
PNP/Normally open (NO)
Sn = 30 mm
Non embeddable

BALLUFF
sensors worldwide

