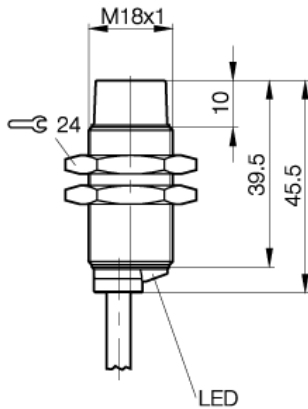


BES 516-360-E4-Y-03
 BES00WJ

PNP
 NO
 non flush mountable

BALLUFF
sensors worldwide



PX0372

Electrical data:

Rated operational voltage (Ue)	24 DC V
Utilization category	DC 13
Off-state current max (I _r)	80 µA
Ripple max. of Ue	= 15 %
Load current capacity (I _e)	130 mA
Hysteresis max (H)	15 %
Operating frequency (f)	200 Hz
Voltage drop max. static	3,5 V
Connection	Cable
Electrical type	DC
Switching output	PNP
Switching element function	NO
Time delay before availability	60 ms
No-load supply current damped	= 25 mA
Supply voltage max. (U _b)	30 V
Supply voltage min. (U _b)	10 V

Mechanical data:

Number of wires	3-wire
Assured operating distance	0...6,5 mm
Cable code designation	LiYY-O
Sensing face material	PA 12
Housing material	CuZn, nickel plated
Rated operating distance (s _n)	8 mm
Diameter	M18x1 mm
Ambient temperature min	-25 °C
Degree of pollution	3
Mounting	non flush mountable
Repeat accuracy max. (R)	5 %
Ambient temperature max	+70 °C

General data:

Insulation class	2
Protected against polarity reversal	yes
Degree of protection IP	IP68 per BWN Pr 20
Output indication	yes
Short circuit protected	yes
Approval	CE, ULZ1

Wiring:

