

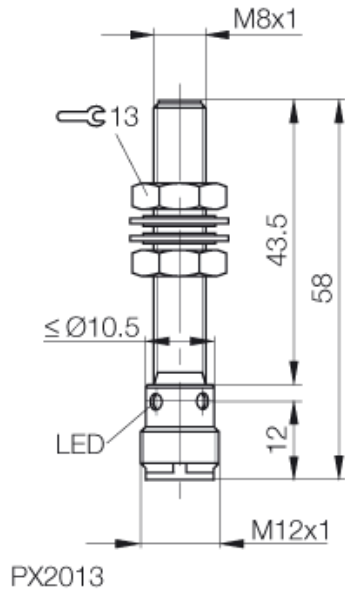
BES M08EH-POC15B-S04G

Inductive Sensors

PNP
NC
flush mountable

BALLUFF

sensors worldwide



Electrical data:

Connection	connector
Rated operational voltage (Ue)	24 DC V
Load current capacity (Ie)	200 mA
Time delay before availability	20 ms
Electrical type	DC
Utilization category	DC 13
Hysteresis max (H)	15 %
Off-state current max (Ir)	20 μ A
Ripple max. of Ue	15 %
Switching output	PNP
Switching element function	NC
Operating frequency (f)	3000 Hz
Voltage drop max. static	2,5 V
Supply voltage max. (Ub)	30 V
Supply voltage min. (Ub)	10 V

Mechanical data:

Number of Wires	3-wire
Rated operating distance (sn)	1,5 mm
Diameter	M8x1 mm
Assured operating distance	0...1,2 mm
Mounting	flush mountable
Temperature drift max.	10 %
Ambient temperature max	+70 °C
Ambient temperature min	-25 °C
Degree of pollution	3
Sensing face material	PA 12
Housing material	corrosion resistance Steel
Repeat accuracy max. (R)	= 5 %

General data:

Output indication	yes
Short circuit protected	yes
Degree of protection IP	IP68 per BWN Pr 20
Insulation class	2
Protected against polarity reversal	yes
Approval	CE,c_ul_us

wiring



Pinout



www.balluff.com

Balluff Europe: +49 7158 173 -0
Balluff USA: 1-800-54 3-83 90
Balluff Asia: +86 21-50 64 41 31

Online Productinformation
2008-02-15