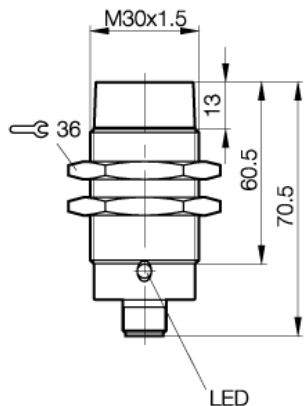


BES 516-218-E5-E-S27  
 BES02AL

NC  
 non flush mountable

**BALLUFF**  
*sensors worldwide*



PX0704a

**Electrical data:**

Connection	Connector S27 (M12 AC/DC)
Rated operational voltage DC	110 AC V
Rated operational current (Ie)	250 mA
Time delay before availability	100 ms
Electrical type	UC
Utilization category	DC 13
Hysteresis max (H)	15 %
Minimum operating current (Im)	5 mA
Off-state current max (Ir)	1700 µA
Switching element function	NC
Operating frequency (f)	100 Hz
Voltage drop dynamic max	7,5 V
Voltage drop static max	11 V
Supply voltage max AC (UB)	250 V
Supply voltage min AC (UB)	20 V

**General data:**

Output indication	yes
Short circuit protected	yes
Degree of protection IP	IP67
Insulation class	1
Protected against polarity reversal	yes
Approval	CE

**Mechanical data:**

Assured operating distance	0...12,1 mm
Mounting	non flush mountable
Ambient temperature max	+70 °C
Ambient temperature min	-25 °C
Degree of pollution	3
Sensing face material	PA 12
Housing material	CuZn, nickel plated
Repeat accuracy max. (R)	10 %
Number of Wires	2-wire
Rated operating distance (sn)	15 mm
Diameter	M30x1.5 mm

**Wiring:**



**www.balluff.com**

Balluff Europe: +49 7158 173 -0  
 Balluff USA: 1-800-54 3-83 90  
 Balluff Asia: +86 21-50 64 41 31

Online Productinformation  
 2009-03-16