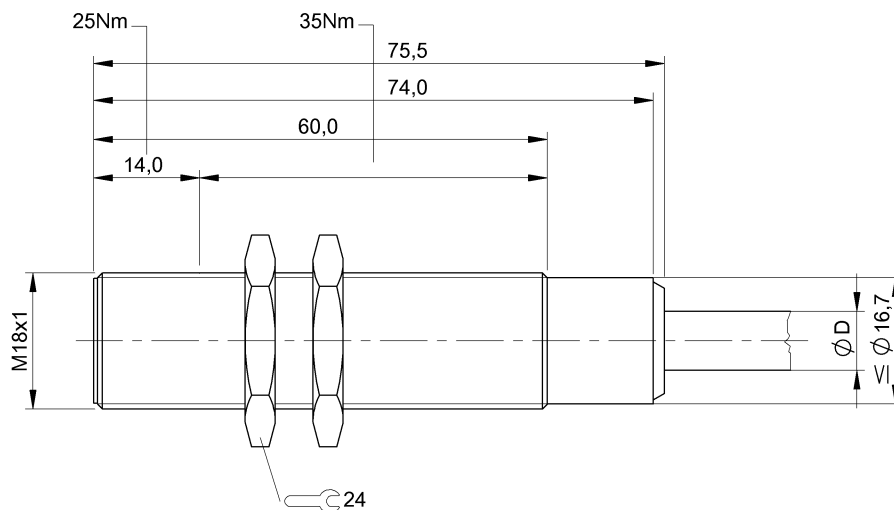


BES 516-105-SA1-05
Ordering code: BES02H4
M18x75,5 mm

DC, direct current
PNP/NO/NC
5 mm
Flush (shielded)

BALLUFF
sensors worldwide



Kenndaten

| | |
|---------------------------------------|--------------|
| Assured operating distance Sa | 4,0 mm |
| Eff. switching distance Sr | 5,00 mm |
| Tolerance Sr | ±10 % |
| Hysteresis H max. (in % of Sr) | 15 % |
| Repeat accur. R max. (% of Sr) | 5 % |
| Ambient temperature | -25...120 °C |
| Temp. drift max. (% of Sr) | 10 % |
| Switching freq. f max. | 500 Hz |
| Ready delay tv max. | 10 ms |
| Utilisation category | DC 13 |
| Function indicator | No |
| Power-on indicator | No |
| Short-circuit protected | No |
| Protected against polarity reversal | Yes |
| Protected against reverse connection | No |
| Degree of protection as per IEC 60529 | IP60 |
| Principle of operation | Inductive |

Elektrische Daten

| | |
|--------------------------------|--------------|
| Operating voltage | 10...30 V DC |
| Ripple max. (% of Ue) | 15 % |
| Rated operating voltage Ue DC | 24,0 V |
| Voltage drop static max. | 1,5 V |
| Rated insulation voltage Ui | 75 DC V |
| Effective operating current Ie | 400 mA |
| No-load current Io damped | 20 mA |
| No-load current Io undamped | 20 mA |
| Off-state current Ir max. | 100 µA |
| Minimum operating current Im | 0 mA |
| Rated short circuit current | 100 A |

Output resistance Ra
 Load capacitance max. (at Ue)
 Recommended K-type SCP

10.0k + D / 10.0k + D
 1 µF
 Miniature fuse according IEC60127-2
 Sheet 1, ≤ 2 A (quick/acting). Fuse
 must be in load line. Fuse must not be
 in outp. line.

Mechanische Daten

| | |
|--------------------------|--------------------------------|
| Connection type | Cable |
| Cable diameter D max. | 7,8 mm |
| Cable short designation | Siflex SiHF |
| Cable length | 5 m |
| Number of conductors | 4 |
| Conductor cross-section | 0.75 mm ² |
| Housing material | CuZn |
| Surface protection | Nickel-plated |
| Sensing surface material | PBT |
| Cable jacket material | Silicon rubber |
| Mounting length | 60 mm |
| Shock rating | Shock, half-sinus, 30 gn, 11ms |
| Vibration rating | 55 Hz, 1 mm ampl., 3x30 min |
| Degree of contamination | 3 |
| Tightening torque max. | 25 Nm / 35 Nm |

Grunddaten

| | |
|----------------|------------------|
| Basic standard | IEC 60947-5-2 |
| Base type | BES 516-105-BO-X |

Bemerkungen

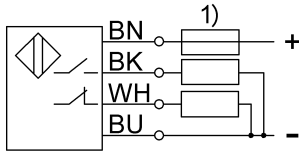
Recommendation: After a short circuit check the device for proper function.
 Ta ≥ 70 °C... ≤ 120 °C: Ie ≤ 150 mA.



BES 516-105-SA1-05
Ordering code: BES02H4
M18x75,5 mm

DC, direct current
PNP/NO/NC
5 mm
Flush (shielded)

BALLUFF
sensors worldwide



1) SC protection see E-Data