

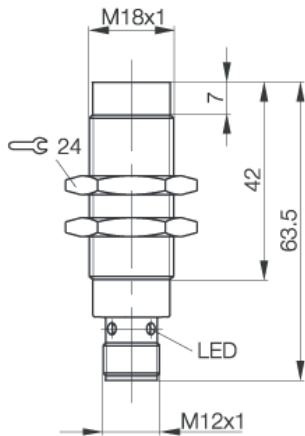
BES M18EF1-NSC20F-S04G-S

Inductive Sensors

NPN
NO
non flush mountable

BALLUFF

sensors worldwide



PX2240

Electrical data:

Connection	Connector S4
Rated operational voltage (Ue)	24 DC V
Load current capacity (Ie)	200 mA
Time delay before availability	10 ms
Electrical type	DC
Utilization category	DC 13
Hysteresis max (H)	15 %
No-load supply current damped	12 mA
No-load supply current undamped	12 mA
Off-state current max (I _r)	100 µA
Ripple max. of U _e	20 %
Switching output	NPN
Switching element function	NO
Operating frequency (f)	150 Hz
Voltage drop max. static	2 V
Supply voltage max. (U _b)	30 V
Supply voltage min. (U _b)	10 V

Mechanical data:

Number of Wires	3-wire
Rated operating distance (sn)	20 mm
Diameter	M18x1 mm
Assured operating distance	0...16 mm
Mounting	non flush mountable
Ambient temperature max	+70 °C
Ambient temperature min	-25 °C
Degree of pollution	3
Sensing face material	corrosion resistance Steel
Housing material	1.4305
Repeat accuracy max. (R)	= 5 %

General data:

Output indication	yes
Short circuit protected	yes
Brand	Steelface
Degree of protection IP	IP67
Protected against polarity reversal	yes
Approval	CE,c_ul_us
Features	Pressure resistance in "P" area 60 bars

wiring



Pinout



www.balluff.com

Balluff Europe: +49 7158 173 -0
Balluff USA: 1-800-54 3-83 90
Balluff Asia: +86 21-50 64 41 31

Online Productinformation
2008-02-22