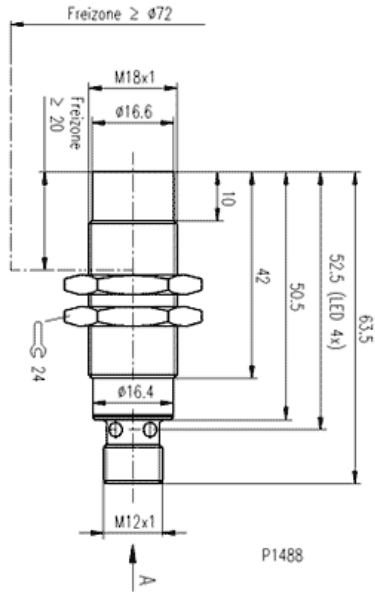


BES M18ME1-PSC20F-S04G
Inductive Sensors

PNP
NO
non flush mountable

BALLUFF
sensors worldwide



Electrical data:

Connection	connector
Rated operational voltage (Ue)	24 DC V
Load current capacity (Ie)	200 mA
Time delay before availability	100 ms
Electrical type	DC
Utilization category	DC 13
Hysteresis max (H)	20 %
No-load supply current damped	= 10 mA
No-load supply current undamped	= 10 mA
Off-state current max (I _r)	100 μA
Ripple max. of U _e	20 %
Switching output	PNP
Switching element function	NO
Operating frequency (f)	200 Hz
Voltage drop max. static	2 V
Supply voltage max. (U _b)	30 V
Supply voltage min. (U _b)	10 V

Mechanical data:

Number of Wires	3-wire
Tightening torque	25 Nm
Rated operating distance (sn)	20 mm
Diameter	M18x1 mm
Assured operating distance	0...16 mm
Mounting	non flush mountable
Ambient temperature max	+70 °C
Ambient temperature min	-25 °C
Degree of pollution	3
Sensing face material	PBT
Housing material	CuZn, chrome plated
Repeat accuracy max. (R)	= 5 %

General data:

Output indication	yes
Short circuit protected	yes
Degree of protection IP	IP54
Protected against polarity reversal	yes
Approval	CE

wiring



Pinout



www.balluff.com

Balluff Europe: +49 7158 173 -0
Balluff USA: 1-800-54 3-83 90
Balluff Asia: +86 21-50 64 41 31

Online Productinformation
2008-02-15