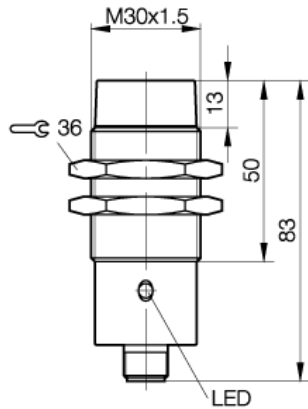


BES M30ML-PSC15F-S04G-002
 BES03AL

PNP
 NO
 non flush mountable

BALLUFF
sensors worldwide



PX0102a

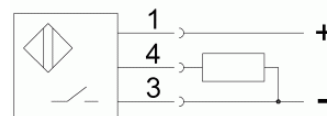
Electrical data:

Load current capacity (Ie)	200 mA
Utilization category	DC 13
Ripple max. of Ue	= 15 %
Supply voltage min. (Ub)	10 V
Rated operational voltage (Ue)	24 DC V
No-load supply current damped	= 25 mA
Operating frequency (f)	75 Hz
Connection	Connector S4 (M12)
Electrical type	DC
No-load supply current undamped	12 mA
Off-state current max (Ir)	80 µA
Voltage drop max. static	2,5 V
Supply voltage max. (Ub)	30 V
Time delay before availability	30 ms
Hysteresis max (H)	15 %
Switching output	PNP
Switching element function	NO

General data:

Output indication	yes
Protected against polarity reversal	yes
Insulation class	2
Short circuit protected	yes
Approval	CE
Degree of protection IP	IP67

Wiring:



Pinout:
pinout



Mechanical data:

Diameter	M30x1.5 mm
Ambient temperature max	+70 °C
Housing material	CuZn, nickel plated
Mounting	non flush mountable
Ambient temperature min	-25 °C
Tightening torque	70 Nm
Rated operating distance (sn)	15 mm
Degree of pollution	3
Sensing face material	PA 12
Assured operating distance	0...12,2 mm
Repeat accuracy max. (R)	5 %

www.balluff.com

Balluff Europe: +49 7158 173 -0
 Balluff USA: 1-800-54 3-83 90
 Balluff Asia: +86 21-50 64 41 31

Online Productinformation
 2009-11-09