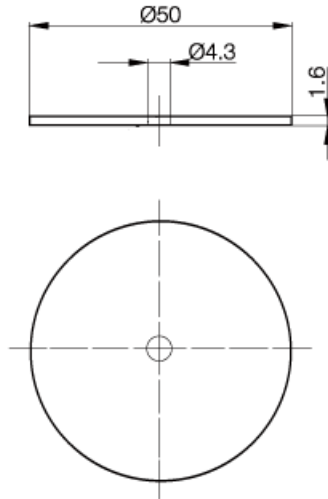


BIS L-102-01/L
BIS L,
Data Carrier

non-flush
192 byte

BALLUFF
sensors worldwide



PI0265

Electrical data:

Mechanical data:

Antenna	Round
Operating temperature	-25...85 °C
Mounting in steel	non-flush
Housing material	EP
Storage temperature	-40...95 °C
Size	Ø50x1,6 mm
Shock	100g/6ms per EN 60068-2-27 and 100g/2ms per EN 60068-2-29
Vibration	20g, 10...2000Hz per EN 60068-2-6
Read Mode	Static only

General data:

Memory Size	192 byte
Harsh Environment	No

Additional information:

Read/write codetag Ø50x1,6, 192 Byte

www.balluff.com

Balluff Europe: +49 7158 173 -0
Balluff USA: 1-800-54 3-83 90
Balluff Asia: +86 21-50 64 41 31

Online Productinformation
2008-12-12