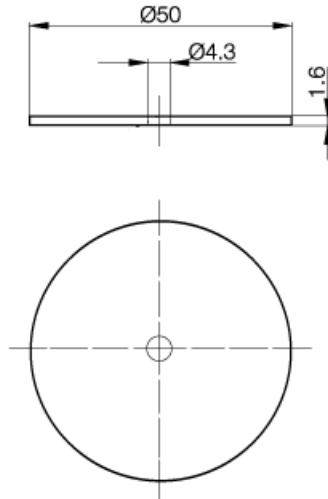


**BIS L-202-03/L**  
BIS L,  
Data Carrier

non-flush  
40 Bit

**BALLUFF**  
*sensors worldwide*



PI0265

**Electrical data:**

**Mechanical data:**

Antenna	Round
Operating temperature	-40...85 °C
Mounting in steel	non-flush
Housing material	EP
Storage temperature	-40...95 °C
Size	Ø50x1,6 mm
Shock	100g/6ms per EN 60068-2-27 and 100g/2ms per EN 60068-2-29
Vibration	20g, 10...2000Hz per EN 60068-2-6
Read Mode	Dynamic or Static

**General data:**

Memory Size	40 Bit
Harsh Environment	No

**Additional information:**

Read-only codetag Ø50x1,6, 40 Bit

**www.balluff.com**

Balluff Europe: +49 7158 173 -0  
Balluff USA: 1-800-54 3-83 90  
Balluff Asia: +86 21-50 64 41 31

Online Productinformation  
2008-12-12