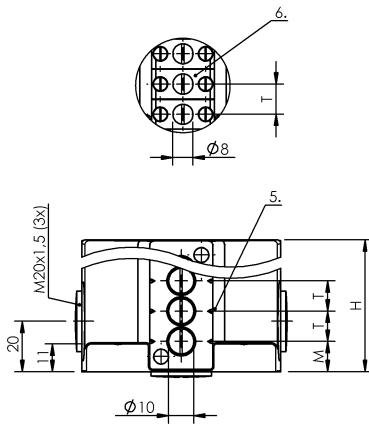
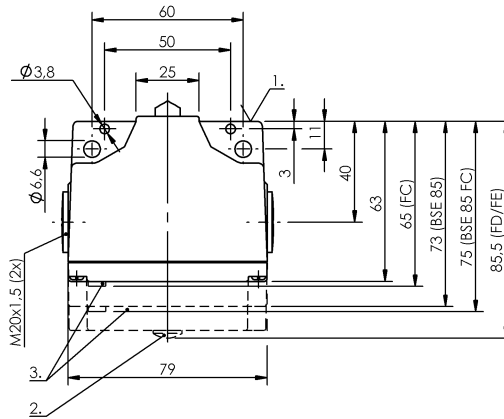


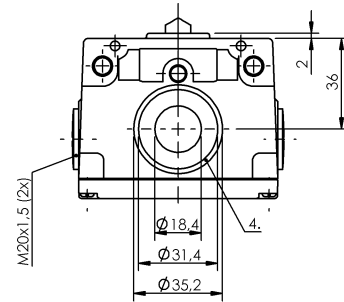
| | |
|------|-------------|
| M=12 | BNS..61-A.. |
| M=16 | BNS..61-B.. |
| M=24 | BNS..61-C.. |
| M=30 | BNS..61-D.. |



Gehäuse B/Housing B



Gehäuse B (Standard)/Housing B (Standard)



Gehäuse C/Housing C

Characteristic data

Plunger block No
 Function indicator 2nd pos.: none
 Degree of protection as per IEC 60529 IP67

Electrical data

Plunger Mixed Assembly
 Rated operating voltage Ue 1st pos.: 250 V AC, 2nd pos.: 250 V AC
 Continuous current 6 A

Mechanical data

Design 61
 Depth 63 mm
 Mechanical installation condition Vertical
 Shock rating max. 100g / 2ms
 Vibration rating 10-500 Hz, 3 mm pp, 20 g
 Ambient temperature Ta max. 85 °C
 Ambient temperature Ta min. -5 °C
 Housing material Aluminum
 Type Safety EN 60204-1
 Contact material 2nd pos.: silver, gold plated
 Repeatability max. 1st pos.: +/-0.01 mm, 2nd pos.: +/-0.01 mm
 Plgr. dist. 1st switch pos. 12 mm
 Dist. cam to reference edge 1st pos.: 5 - 0.5 mm, 2nd pos.: 5 - 0.5 mm

Type

Operating principle

Connection

Plunger material

Approach speed

Spacing T

Switching rate

Flange feed-through

Mechan. life expectancy min.

Approach direction

Housing finish

Switching operation force

Connector

Plunger diameter

Plunger style

Switching element

Basic data

DIN switch

Remarks

Additional features 1

Mech. multiple position

1st pos.: mechanical, 2nd pos.: mechanical

1. screw terminal, 2. screw terminal

1st pos.: stainless steel, 2nd pos.: stainless steel

1st pos.: 60 m/min, 2nd pos.: 60 m/min
 12 mm

1st pos.: max. 300/min, 2nd pos.: max. 300/min

None

1st pos.: 30 mil. operations, 2nd pos.: 30 mil. operations

Lengthwise, par. to mtg. surf.

Eloxal

1st pos.: min. 15 N, 2nd pos.: min. 20 N

None

10 mm

1st pos.: Roller, 2nd pos.: Roller

1st pos.: BSE 61, 2nd pos.: BSE 30.0

No

None



A 039147

Definitions see main catalog

subject to change