



**BLE 65K-1-F50T-1**  
**Ordering code: BOS00E4**

Through-beam sensor  
 Series 65K  
 Working Range: 0...50 m

Relay, changeover contact (1x), NO-NC  
 Infrared  
 AC/DC

**BALLUFF**

sensors worldwide

Range Sn Sn = 50 m, adjustable

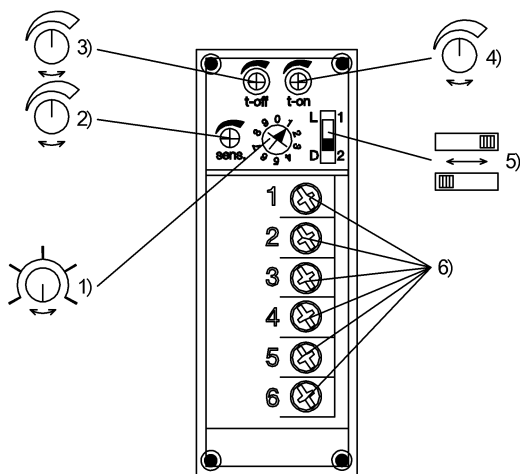
**Basic data**

Basic standard IEC 60947-5-2  
 Operating object (test target): Gray card, 200 x 200, lateral approach  
 Order accessories separately.  
 For additional information, refer to user's guide.



Definitions see main catalog

subject to change



- 1) Light-on/dark-on, time func.
- 2) Sensitivity
- 3) Turn-off delay
- 4) Turn-on delay
- 5) Time range T1/T2
- 6) Screw terminals