

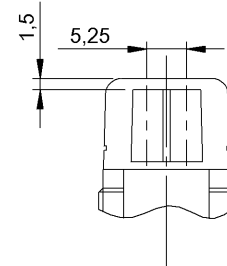
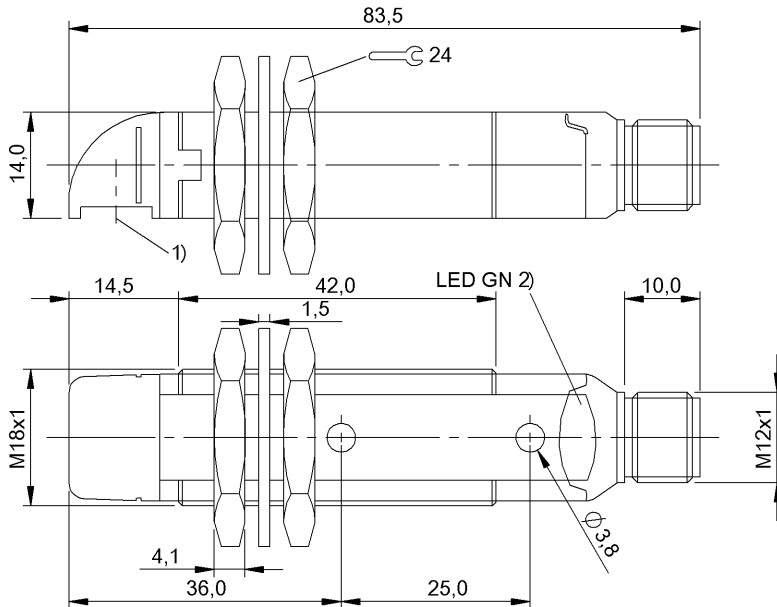
BLS 18KW-XX-1P-S4-L
Ordering code: BOS00EW

Infrared
 DC, direct current

BALLUFF

sensors worldwide

Through-beam sensor
 Series 18KW
 Working Range: 0...15 m



1) Optical axis, 2) Power

Characteristic data

Operating voltage	10...30 V DC
Connection	Connector, M12x1-S04
Indicator	Power - LED GN
Input function	Test (Emitter off)
Reference receiver	BLE 18KW-...1PP-..
Protected against polarity reversal	yes
Degree of protection as per IEC 60529	IP67
Protection class	II

Optical data

Principle of optical operation	Emitter
Light type	Infrared
Wavelength	880 nm

Electrical data

Rated operating voltage U _e DC	24 V
Rated insulation voltage U _i	75 V DC
Ripple max. (% of U _e)	8 %

No-load current max. I_o at U_e

35 mA

Mechanical data

Connector type	M12x1-S04
Shock rating	Half-sinus, 30gn, 11ms, 3x6
Vibration rating	10-55 Hz, 0.5mm ampl., 3x30min
Ambient temperature	-25...55 °C
Sensing surface material	PMMA
Housing material	PBT
Mounting type	Nut M18x1 Screw M3
Design	Flat cylinder, 90° optics
Operating range R _o	0...15 m
Range S _n	S _n = 15 m, adjustable

Basic data

Basic standard IEC 60947-5-2
 With connector, e.g. BKS-S 20-... total length = switch length +18 mm.
 For additional information, refer to user's guide.
 Order accessories separately.



Definitions see main catalog

subject to change

BLS 18KW-XX-1P-S4-L
Ordering code: BOS00EW

Through-beam sensor
Series 18KW
Working Range: 0...15 m

Infrared
DC, direct current

BALLUFF
sensors worldwide

