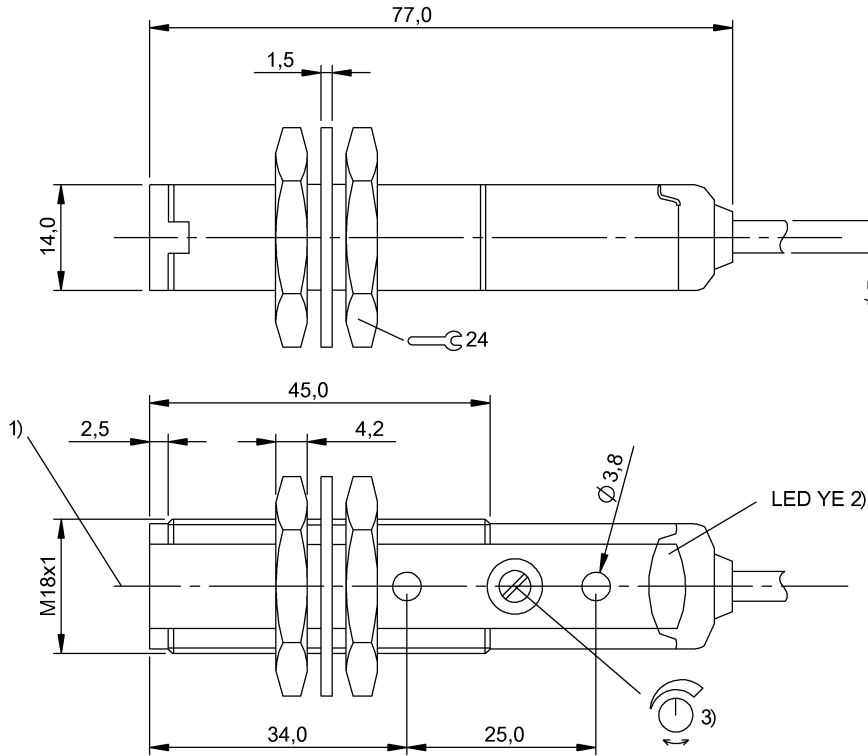
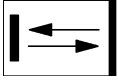


BOS 18KF-PA-1LOC-C-02
Ordering code: BOS00JN

Diffuse sensor
 Series 18KF
 Working range: bis 350 mm

PNP (2x), NO-NC
 Laser red light, Laserklasse 1
 DC, direct current

BALLUFF
 sensors worldwide



1) Optical axis, 2) Output function, 3) Sn

Characteristic data

Degree of protection as per IEC 60529	IP67
Protection class	II
Short-circuit protected	yes
Protected against polarity reversal	yes
Indicator	Output function - LED YE
Setting	Switching distance (Sn)
Adjuster	Potentiometer 270° (1x)
Switching freq. f max.	1500 Hz

Rated operating voltage Ue DC	24 V
Effective operating current Ie	100 mA
Rated insulation voltage Ui	75 V DC
Ripple max. (% of Ue)	8 %
Switching output	PNP (2x)
Switching function	NO-NC
Turn-off delay toff max.	0,33 ms
Turn-on delay ton max.	0,33 ms
No-load current max. Io at Ue	35 mA
Voltage drop Ud max. (at Ie)	2 V

Optical data

Principle of optical operation	Light scanner, energetic
Switching function, optical	NO light-on - NC dark-on
Light type	Laser red light
Wavelength	650 nm
Ambient light max.	5,000 Lux
Laser class per IEC 60825-1	1
Average power Po max.	< 390 µW (IEC 60825-1)
Pulse duration t max.	4,5 µs
Pulse frequency	25 kHz

Mechanical data

Number of conductors	4
Cable length	2 m
Conductor cross-section	0.14 mm ²
Eff. switching distance Sr	350 mm
Shock rating	Half-sinus, 30gn, 11ms, 3x6
Vibration rating	10-55 Hz, 0.5mm ampl., 3x30min
Ambient temperature	-10...50 °C
Sensing surface material	PMMA
Housing material	PBT
Cable jacket material	PVC
Cable diameter D max.	4 mm

Electrical data

Operating voltage	10...30 V DC
-------------------	--------------

BOS 18KF-PA-1LOC-C-02
Ordering code: BOS00JN

Diffuse sensor
Series 18KF
Working range: bis 350 mm

PNP (2x), NO-NC
Laser red light, Laserklasse 1
DC, direct current

BALLUFF
sensors worldwide

Mounting type	Nut M18x1
Design	Screw M3
Capture range Sd	Flat cylinder, straight optics
Beam characteristic	0...350 mm
Range Sn	Divergent
Minimum operating distance	Sn = 350 mm, adjustable 0 mm

Basic data

Connection Cable, 2m, PVC
Basic standard IEC 60947-5-2
The sensor is functional again after the overload has been eliminated.
Reference object (target): Gray card, 200 x 200, 90 % remission, axial approach.
For additional information, refer to user's guide.
Order accessories separately.

