

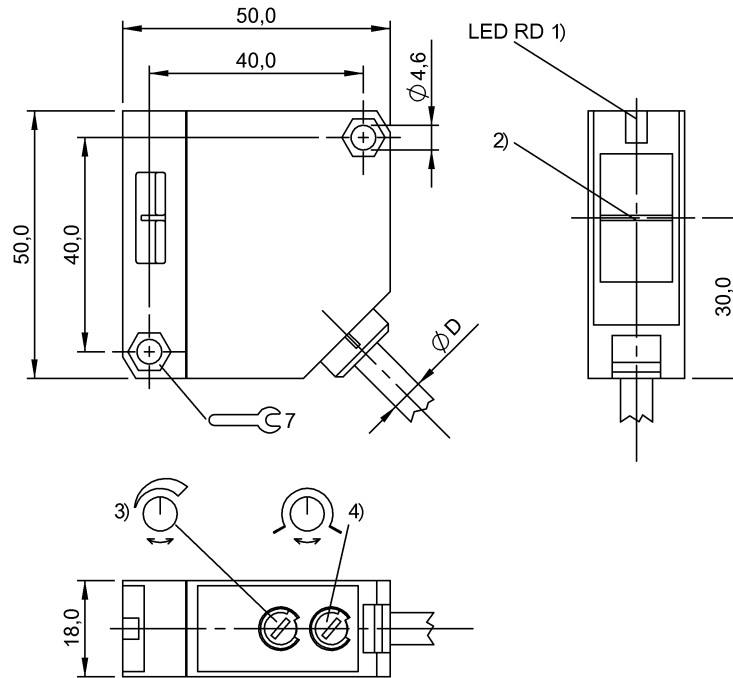
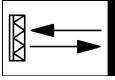
**BOS 25K-1-B5-02**  
**Ordering code: BOS00M3**

Retroreflective sensor  
 Series 25K  
 Working Range: 0...5 mm

Relay, changeover contact (1x), NO-NC  
 LED, red light  
 AC/DC

**BALLUFF**

sensors worldwide



1) Output function, 2) Optical axis, 3) Sn, 4) Light-on / Dark-on

**Characteristic data**

Operating voltage 15...264 V AC/DC  
 Connection Cable, 2m, PVC  
 Switching freq. f max. 2 Hz  
 Indicator Output function - LED RD  
 Setting Light-on/dark-on, Sensitivity (Sn)  
 Adjuster Potentiometer 270° (2x)  
 Reference reflector BOS R-10  
 Enclosure Type per IEC 60529 IP65  
 Protection class I

**Optical data**

Principle of optical operation Retro-reflective sensor  
 Switching function, optical NO dark-on - NC light-on  
 Light type LED, red light  
 Wavelength 660 nm  
 Ambient light max. 3,000 Lux  
 Polarising filter yes

**Electrical data**

Effective operating voltage Ue AC 24 V  
 Rated operating voltage Ue DC 3000 mA  
 Effective operating current Ie 3000 mA

Rated frequency, AC 50/60 Hz  
 Rated insulation voltage Ui 300 V AC  
 Switching output Relay, changeover contact (1x)  
 Switching function NO-NC  
 Turn-off delay toff max. 30 ms  
 Turn-on delay ton max. 30 ms  
 No-load current max. Io at Ue 40 mA

**Mechanical data**

Eff. switching distance Sr 5000 mm  
 Operating range Ro 0...5 mm  
 Range Sn Sn = 5 m, adjustable  
 Cable length 2 m  
 Cable jacket material PVC  
 Number of conductors 5  
 Cable diameter D max. 5  
 Conductor cross-section 0.25 mm<sup>2</sup>  
 Sensing surface material PMMA  
 Housing material ABS  
 Mounting type Screw M4  
 Design Block, 45° connection  
 Ambient temperature -25...55 °C

**BOS 25K-1-B5-02**  
**Ordering code: BOS00M3**

**Retroreflective sensor**  
**Series 25K**  
**Working Range: 0...5 mm**

**Relay, changeover contact (1x), NO-NC**  
**LED, red light**  
**AC/DC**

**BALLUFF**

*sensors worldwide*

**Basic data**

Basic standard IEC 60947-5-2  
Polarizing filters prevent spurious switching due to reflecting and shiny parts.  
Operating object (test target): Gray card, 200 x 200, 90 % remission, lateral approach, direction of movement vertical to plane of lens axes.  
For additional information, refer to user's guide.  
Order accessories separately.

