

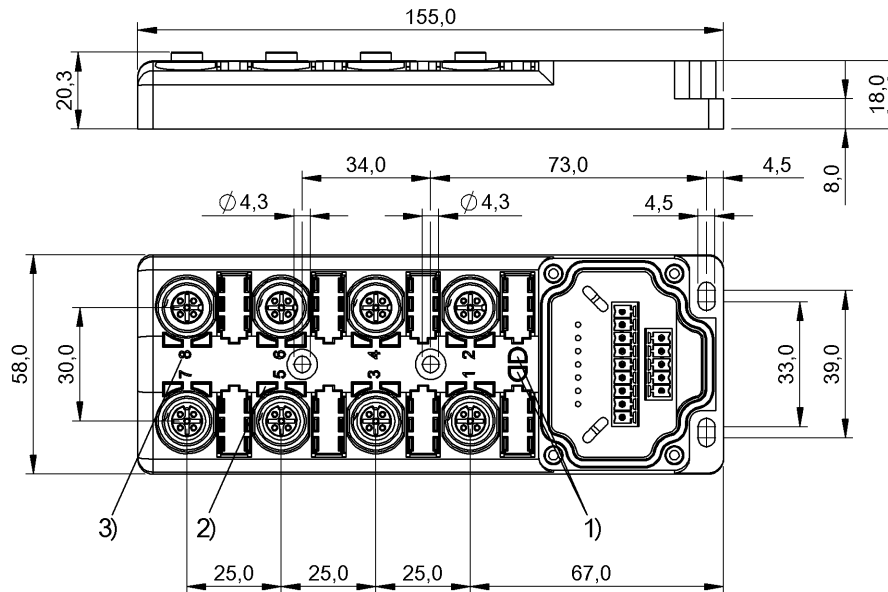
BPI 8M4A4P-2K-00-TP0E
Ordering code: BPI007E

PNP
Normally open (NO)

BALLUFF

sensors worldwide

Passive distributor
8-port



1) Power indicator gn., 2) LED ye for S1 on PIN 4, 3) Terminal numbering

Characteristic data

Design	Two-row
Number of plug-in positions	8
Sensor connection	M12x1 5-pole female
Controller connection	Plug-in terminals
No. of poles controller side	5, 9
Power-on indicator	2 x LED green
Function indicator	Yes
Switching function indicator	8 x LED YE

Electrical data

Rated operating voltage Ue DC	24,0 V
Electrical version	DC, direct current
Operating voltage UB min. DC	18 V
Operating voltage UB max. DC	30,2 V
Contact resistance	5 mOhm
Insulation resistance	> 10E9 (Ohm)
Current draw per LED	4 mA
Load capacity per contact	2 A
Total current max.	16 A (for 2 x supply)/8 A (for 1 x supply)
Withstand voltage	800 V
Galvanic isolation	+24V and 0V for left side (slot 1, 3) and right side (slot 2, 4) with cable bridge

Mechanical data

Connector type	M12x1
Housing material	PBT
Contact material	CuZn
Contact surface protection	NiAu
Contact carrier material	PA 66
Sealing ring material	Viton
Casting	Yes
Ambient temperature Ta min.	-20 °C
Ambient temperature Ta max.	80 °C
Mounting type	4 x M4
Tightening torque max.	1.2 Nm ±0.2 (M4)
Tightening torque pigtail	0.6 Nm±0.1 (M12 connector)

Basic data

Shock rating	100 g, 6 ms
Vibration rating	10-60 Hz, const. amplitude 2mm
	61-500 Hz, const. accel. 15 g
Not incl. in scope of delivery	Mounting screws M4
Scope of delivery	24x identification labels
	4x cover caps

Remarks

BPI 8M4A4P-2K-00-TP0E
Ordering code: BPI007E

Passive distributor
8-port

PNP
Normally open (NO)

BALLUFF
sensors worldwide

Anschlussstabelle / terminal diagram

Klemme Nr. / Terminal No.	M12 Buchse / M12 Socket	Kontaktbelegung / Contactassignment
1	1 / 4	Buchse / Socket M12 (-) 3 4 (NO1 Signal) NC2 Signal 2 5 (PE) 1 (+)
2	2 / 4	
3	3 / 4	
4	4 / 4	
5	5 / 4	
6	6 / 4	
7	7 / 4	
8	8 / 4	
Klemmen / terminals		
+1	1 3 5 7 / 1 (+)	
+2	2 4 6 8 / 1 (-)	
-1	1 3 5 7 / 1 (-)	
-2	2 4 6 8 / 1 (-)	
PE	1 5 / 1 (PE)	

