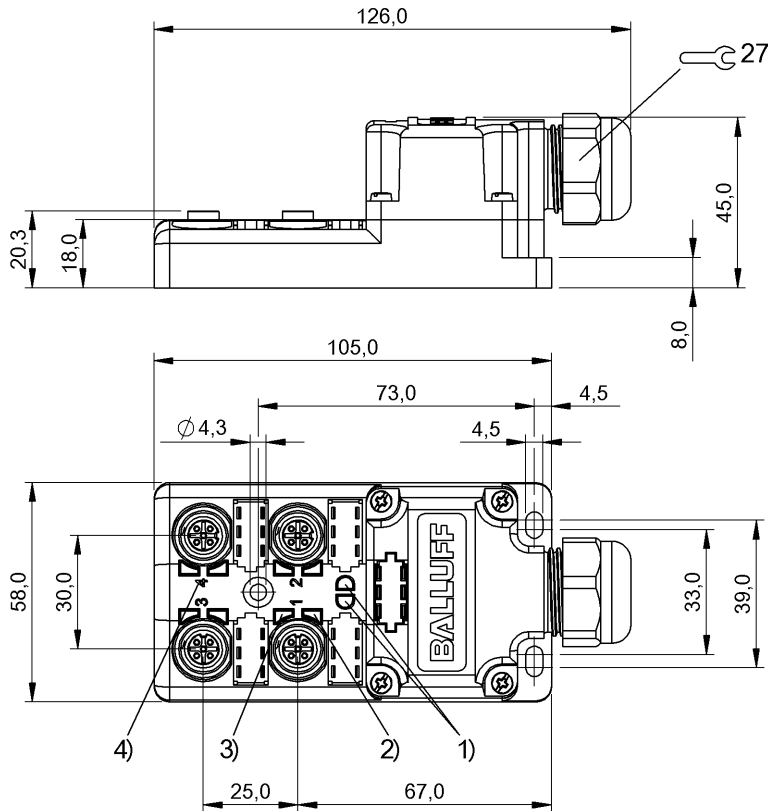


**BPI 4M4A5P-2K-00-TPSG**  
**Ordering code: BPI007K**

PNP  
 NO/NC

**BALLUFF**  
*sensors worldwide*

Passive distributor  
 4-port



1) Power indicator gn., 2) LED ye for S2 on PIN 2, 3) LED ye for S1 on PIN 4, 4) Terminal numbering

**Characteristic data**

Design	Two-row
Number of plug-in positions	4
Sensor connection	M12x1 5-pole female
Controller connection	Screw-/Plug-in terminals
No. of poles controller side	7, 9
Power-on indicator	2 x LED green
Function indicator	Yes
Switching function indicator	8 x LED YE

**Electrical data**

Rated operating voltage Ue DC	24,0 V
Electrical version	DC, direct current
Operating voltage UB min. DC	18 V
Operating voltage UB max. DC	30,2 V
Contact resistance	5 mOhm
Insulation resistance	> 10E9 (Ohm)
Current draw per LED	4 mA
Load capacity per contact	2 A
Total current max.	16 A (for 2 x supply)/8 A (for 1 x supply)
Withstand voltage	800 V
Galvanic isolation	+24V and 0V for left side (slot 1, 3) and right side (slot 2, 4) with cable bridge

**Mechanical data**

Connector type	M12x1
----------------	-------

Wire cross-section min.	0,08
Wire cross-section max.	1,5
Housing material	PBT
Contact material	CuZn
Contact surface protection	NiAu
Contact carrier material	PA 66
Sealing ring material	Viton
Casting	Yes
Ambient temperature Ta min.	-20 °C
Ambient temperature Ta max.	80 °C
Mounting type	3 x M4
Tightening torque max.	1.2 Nm ±0.2 (M4)
Tightening torque pigtail	0.6 Nm±0.1 (M12 connector)

**Basic data**

Degree of protection as per IEC 60529	IP67 (when connected)
Protection class	Category III per EN 60664-1
Shock rating	100 g, 6 ms
Vibration rating	10-60 Hz, const. amplitude 2mm 61-500 Hz, const. accel. 15 g
Degree of contamination	3
Not incl. in scope of delivery	Mounting screws M4
Scope of delivery	24x identification labels 2x cover caps

**Remarks**

**BPI 4M4A5P-2K-00-TPSG**  
**Ordering code: BPI007K**

**Passive distributor**  
**4-port**

**PNP**  
**NO/NC**

**BALLUFF**  
*sensors worldwide*

**Anschlussabelle / terminal diagram**

Klemme No. / M12 Buchse / M12 Socket	Steckplatz/Kontakt / Electrocontact	Kontaktbelegung / Contactassignment	
1	1/2		
9	1/2		
2	2/4		
10	2/2		
3	3/4		
11	3/2		
4	4/4		
12	4/2		
+1	1, 3/1 (+)		
+2	2, 4/1 (+)		
-1	1, 3/3 (-)		
-2	2, 4/3 (-)		
PE	1, 4/5 (PE)		

