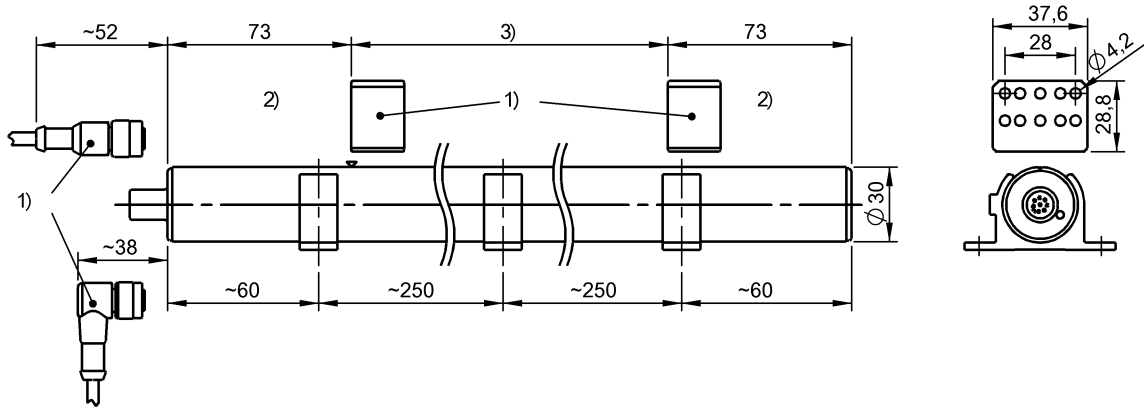


**BTL6-A301-M1000-A1-S115**  
**Ordering code: BTL005L**

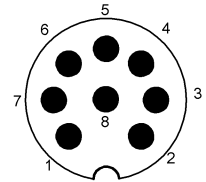
**Micropulse transducers**  
**Series Profile**

**Output signal 0...10 V and 0...10 V**  
**Nominal stroke 1000 mm**

**BALLUFF**  
*sensors worldwide*



Pin	La
1	La
2	GND output
3	output 2, 0...10 V
4	Lb
5	output 1, 0...10 V
6	GND
7	+24 V DC
8	NC



1) Not incl. in scope of del., 2) Unusable area, 3) Nom. stroke = Meas. length

**Characteristic data**

Output signal 0...10 V and 0...10 V  
 Connection Connector, M12  
 Operating voltage 18...30 V DC  
 Multi-magnet technology yes  
 No of magnets, factory setting 2

**Electrical data**

Ripple 0.5 Vpp  
 Current consumption (at 24 V DC) 100 mA, typical  
 Inrush current ≤ 3 A / 0.5 ms  
 Overvoltage protected Yes  
 Voltage-proof (GND – housing) 500 V DC  
 Ripple Ua max. 5  
 Error signal output 2 10.5 V  
 Galvanic isolation Yes  
 Output signal adjustable Via programming inputs  
 Error signal output 1 10.5 V  
 Number of magnets max. 2  
 For dynamic loop applications No  
 Programming inputs Low-active

**Mechanical data**

Type Type A1  
 Mounting type Mounting clamps  
 Connector type M12  
 Cable/connector out Axial  
 Number of pins 8

Housing material Anodized aluminum  
 Repeatability max. ≤ 10 µm  
 Resolution ≤ ±1 mV  
 Repeat accuracy ≤ ±2 mV  
 Sampling rate (length-depend.) max. 1 kHz  
 TK, typ. (at 50% of 500 mm) typ. ≤ 30 ppm/K  
 Ambient temperature Ta min. 0 °C  
 Ambient temperature Ta max. 70 °C  
 Storage temperature min. -40 °C  
 Storage temperature max. 100 °C  
 Relative humidity < 90%, non-condensing  
 Null point 73 mm

**Basic data**

Protected against polarity reversal Up to 36 V  
 Degree of protection as per IEC 60529 IP67 (with connector)  
 EN 60068-2-27 (shock) 50 g / 6 ms  
 EN 60068-2-29 (cont. shock) 50 g / 2 ms  
 EN 60068-2-6 (vibration) 12 g, 10...2000 Hz  
 EN 60068-2-64 (noise) 5 g, 10...2000 Hz  
 EN 55016-2-3 (emission) Class A+B  
 EN 61000-4-2 (ESD) Severity Level 3  
 EN 61000-4-3 (RFI) Severity Level 3  
 EN 61000-4-4 (burst) Severity Level 3  
 EN 61000-4-5 (surge) Severity Level 2  
 EN 61000-4-6 (HF fields) Severity Level 3  
 EN 61000-4-8 (magnetic fields) Severity Level 4  
 Approvals CE, cURus

**BTL6-A301-M1000-A1-S115**  
**Ordering code: BTL005L**

**Micropulse transducers**  
**Series Profile**

**Output signal 0...10 V and 0...10 V**  
**Nominal stroke 1000 mm**

**BALLUFF**  
*sensors worldwide*

Remarks

