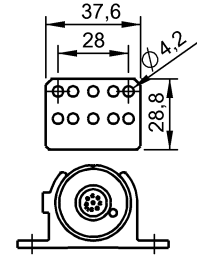
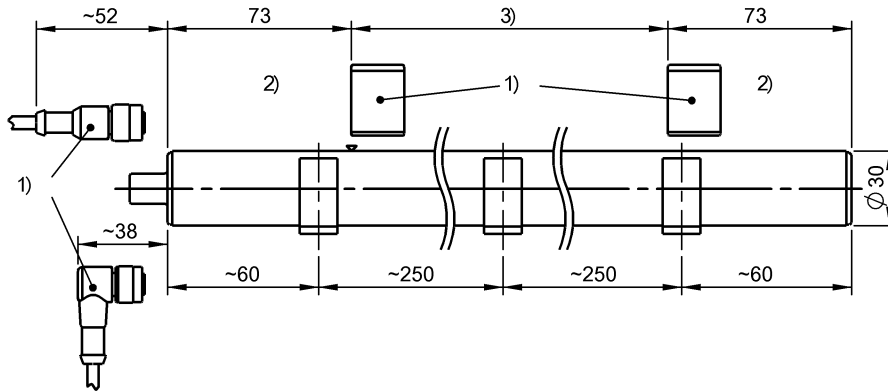


BTL6-A301-M1250-A1-S115
Ordering code: BTL005P

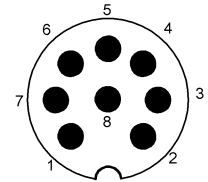
Micropulse transducers
Series Profile

Output signal 0...10 V and 0...10 V
Nominal stroke 1250 mm

BALLUFF
sensors worldwide



Pin	La
1	La
2	GND output
3	output 2, 0...10 V
4	Lb
5	output 1, 0...10 V
6	GND
7	+24 V DC
8	NC



1) Not incl. in scope of del., 2) Unusable area, 3) Nom. stroke = Meas. length

Characteristic data

Output signal 0...10 V and 0...10 V
 Connection Connector, M12
 Operating voltage 18...30 V DC
 Multi-magnet technology yes
 No of magnets, factory setting 2

Electrical data

Ripple 0.5 Vpp
 Current consumption (at 24 V DC) 100 mA, typical
 Inrush current ≤ 3 A / 0.5 ms
 Overvoltage protected Yes
 Voltage-proof (GND – housing) 500 V DC
 Ripple Ua max. 5
 Error signal output 2 10.5 V
 Galvanic isolation Yes
 Output signal adjustable Via programming inputs
 Error signal output 1 10.5 V
 Number of magnets max. 2
 For dynamic loop applications No
 Programming inputs Low-active

Mechanical data

Type Type A1
 Mounting type Mounting clamps
 Connector type M12
 Cable/connector out Axial
 Number of pins 8

Housing material Anodized aluminum
 Repeatability max. ≤ 10 µm
 Resolution ≤ ±1 mV
 Repeat accuracy ≤ ±2 mV
 Sampling rate (length-depend.) max. 1 kHz
 TK, typ. (at 50% of 500 mm) typ. ≤ 30 ppm/K
 Ambient temperature Ta min. 0 °C
 Ambient temperature Ta max. 70 °C
 Storage temperature min. -40 °C
 Storage temperature max. 100 °C
 Relative humidity < 90%, non-condensing
 Null point 73 mm

Basic data

Protected against polarity reversal Up to 36 V
 Degree of protection as per IEC 60529 IP67 (with connector)
 EN 60068-2-27 (shock) 50 g / 6 ms
 EN 60068-2-29 (cont. shock) 50 g / 2 ms
 EN 60068-2-6 (vibration) 12 g, 10...2000 Hz
 EN 60068-2-64 (noise) 5 g, 10...2000 Hz
 EN 55016-2-3 (emission) Class A+B
 EN 61000-4-2 (ESD) Severity Level 3
 EN 61000-4-3 (RFI) Severity Level 3
 EN 61000-4-4 (burst) Severity Level 3
 EN 61000-4-5 (surge) Severity Level 2
 EN 61000-4-6 (HF fields) Severity Level 3
 EN 61000-4-8 (magnetic fields) Severity Level 4
 Approvals CE, cURus

BTL6-A301-M1250-A1-S115
Ordering code: BTL005P

Micropulse transducers
Series Profile

Output signal 0...10 V and 0...10 V
Nominal stroke 1250 mm

BALLUFF
sensors worldwide

Remarks

