







Type CVG EMV (conduit and cable fitting; metal thread)

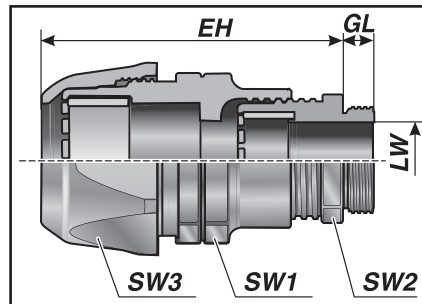


IP68

-  -40 to 110 °C
transient 140 °C
-  Mod. polyamide
Brass, nickel-plated
-  V0
-  IP 68 to 6 bar (IP 69K)

Combined conduit and cable fitting, straight, with metal thread.

- Insert conduit → screw upper part tight → ready
- Reliable assembly because fitting is supplied pre-assembled.
No additional parts required
- Resistant to vibration due to lockable cap nut
- Clamping along entire circumference ensuring maximum tear-out strength
- High sealant properties corresponding to IP 68 to 6 bar (IP 69K) without additional parts
- Simple check that the conduit is assembled correctly



CVG EMV

Type	Order no.	Colour	Connecting thread	Suitable for Murrflex	EH mm	GL mm	LW mm	SW 1/2/3 mm	Pack qty.
Metric metal thread / EMC version									
CVG M12 EMV	83551050	black	M12x1.5	M12/P9	39.0	6.5	3.0–6.5	20/14/20	50
CVG M16 EMV	83551052	black	M16x1.5	M16/P11	45.0	6.0	5.0–10.0	25/20/25	50
CVG M20 EMV	83551056	black	M20x1.5	M20/P16	55.0	6.0	10.0–14.0	33/24/33	50
CVG M25 EMV	83551058	black	M25x1.5	M25/P21	57.0	7.0	13.0–18.0	40/30/41	50
CVG M32 EMV	83551060	black	M32x1.5	M32/P29	69.0	8.0	18.0–25.0	50/40/50	25
CVG M40 EMV **	83551062	black	M40x1.5	M40/P36	84.0	8.0	22.0–32.0	60/50/60	25
CVG M63 EMV	83551064	black	M63x1.5	M50/P48	94.0	10.0	37.0–44.0	75/68/75	10
Metric metal thread / EMC version with extended thread									
CVG/L M12 EMV	83551650	black	M12x1.5	M12/P9	39.0	10.0	3.0–6.5	20/14/20	50
CVG/L M16 EMV	83551652	black	M16x1.5	M16/P11	45.0	10.0	5.0–10.0	25/20/25	50
CVG/L M20 EMV	83551656	black	M20x1.5	M20/P16	55.0	10.0	10.0–14.0	33/24/33	50
CVG/L M25 EMV	83551658	black	M25x1.5	M25/P21	57.0	12.0	13.0–18.0	40/30/41	50
CVG/L M32 EMV	83551660	black	M32x1.5	M32/P29	69.0	12.0	18.0–25.0	50/40/50	25
CVG/L M40 EMV **	83551662	black	M40x1.5	M40/P36	84.0	15.0	22.0–32.0	60/50/60	25

** CSA authorisation

