



# Conduit connection bulkhead fittings

## Types KFW/D and KFW/X

RoHS compliant

-40 to 110 °C  
transient 140 °C

Mod. polyamide

V0

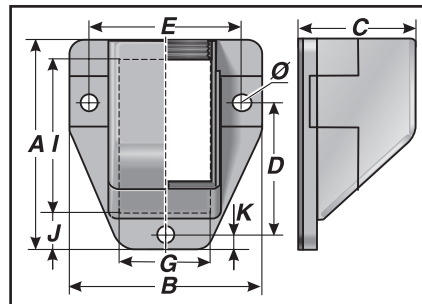
IP 54

Split 90° bulkhead fitting connection for cable protection conduits. Cable protection conduits can be mounted directly onto the bulkhead fitting without any additional fitting. The cable protection conduit can be turned in the bulkhead fitting. Large cut-out sizes make the plastic bulkhead fitting ideally suited for the installation of pre-assembled cables. Supplied with gasket for flange connection.

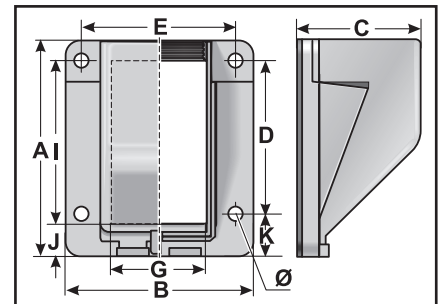
- Enables pre-assembled cables to be inserted by means of removable upper part
- Easy assembly
- Conduit remains rotatable



KFW



Up to D-21/ M25/P21



From D-29/M32/P29

Type	Order no.	Colour	Suitable for Murrflex	A mm	B mm	C mm	D mm	E mm	G mm	I mm	J mm	K mm	Ø mm	Pack qty.
------	-----------	--------	-----------------------	------	------	------	------	------	------	------	------	------	------	-----------

For cable protection conduits with standard corrugation, type EW-xx and EWT-xx

KFW/D-11	83561850	black	M16/P11	49.0	47.0	35.0	29.0	37.0	22.5	27.0	11.0	4.5	4.3	10
KFW/D-16	83561852	black	M20/P16(S)	49.0	47.0	35.0	29.0	37.0	22.5	27.0	11.0	4.5	4.3	10
KFW/D-21	83561854	black	M25/P21(S)	69.0	65.0	44.0	41.5	51.5	30.0	42.5	15.0	6.0	6.0	10
KFW/D-29	83561856	black	M32/P29(S)	90.0	78.0	55.0	64.5	64.5	40.0	68.0	9.0	16.0	6.5	10
KFW/D-36	83561858	black	M40/P36(S)	99.0	94.0	66.0	79.5	79.5	48.5	74.5	9.5	10.0	6.5	10
KFW/D-48	83561860	black	M50/P48(S)	116.0	101.0	76.0	87.5	87.5	68.5	89.5	9.5	16.0	6.5	10

For cable protection conduits with high corrugation, type EWX-xx

KFW/X M25/P21	83562654	black	M25/P21	69.0	65.0	44.0	41.5	51.5	30.0	42.5	15.0	6.0	6.0	10
KFW/X M32/P29	83562656	black	M32/P29	90.0	78.0	55.0	64.5	64.5	40.0	68.0	9.0	16.0	6.5	10
KFW/X M40/P36	83562658	black	M40/P36	99.0	94.0	66.0	79.5	79.5	48.5	74.5	9.5	10.0	6.5	10
KFW/X M50/P48	83562660	black	M50/P48	116.0	101.0	76.0	87.5	87.5	68.5	89.5	9.5	16.0	6.5	10
KFW/X M25/P21	83562614	grey	M25/P21	69.0	65.0	44.0	41.5	51.5	30.0	42.5	15.0	6.0	6.0	10
KFW/X M32/P29	83562616	grey	M32/P29	90.0	78.0	55.0	64.5	64.5	40.0	68.0	9.0	16.0	6.5	10
KFW/X M40/P36	83562618	grey	M40/P36	99.0	94.0	66.0	79.5	79.5	48.5	74.5	9.5	10.0	6.5	10
KFW/X M50/P48	83562620	grey	M50/P48	116.0	101.0	76.0	87.5	87.5	68.5	89.5	9.5	16.0	6.5	10