





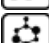

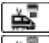


Back

Type KFW

Easy-to-open bulkhead fitting conduit and cable fittings. Supplied with gasket for flange connection.

- Enables pre-assembled cables to be inserted by means of removable upper part.
- Easy assembly
- High stability
- Internal thread for metric or Pg fittings



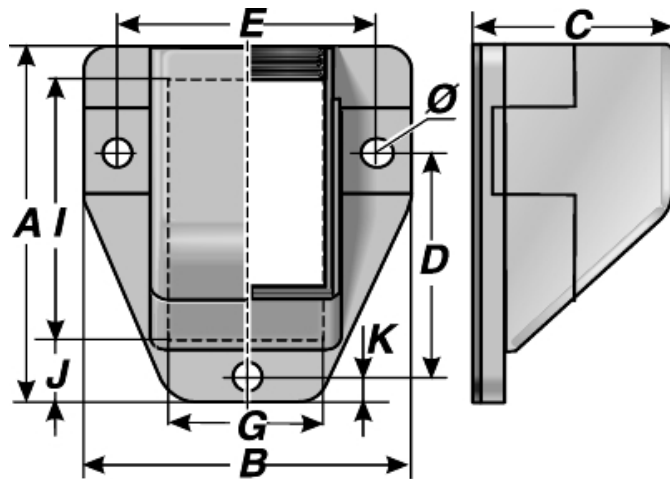
-  RoHS compliant
-  -40 – 110 °C transient 140 °C
-  V0
-  IP 65
-  Mod. polyamide PA 6
-  UR authorisation
-  DB authorisation
-  BS-certification
-  SNCF authorisation

Type	Order no.	Colour	Internal thread	A mm	B mm	C mm	D mm	E mm	G mm	I mm	J mm	K mm	Ø mm	Pack qty.
Metric version														
KFW-M16x1.5	83562450	black	M16x1.5	49.0	47.0	35.0	29.0	37.0	22.5	27.0	11.0	4.5	4.3	10
KFW-M20x1.5	83562452	black	M20x1.5	49.0	47.0	35.0	29.0	37.0	22.5	27.0	11.0	4.5	4.3	10
KFW-M25x1.5	83562454	black	M25x1.5	69.0	65.0	44.0	41.5	51.5	30.0	42.5	15.0	6.0	6.0	10
KFW-M32x1.5	83562456	black	M32x1.5	90.0	78.0	55.0	64.5	64.5	40.0	68.0	9.0	16.0	6.5	10
KFW-M40x1.5	83562458	black	M40x1.5	99.0	94.0	66.0	79.5	79.5	48.5	74.5	9.5	10.0	6.5	10
KFW-M50x1.5	83562460	black	M50x1.5	116.0	101.0	76.0	87.5	87.5	68.5	89.5	9.5	16.0	6.5	10
KFW-M16x1.5	83562410	grey	M16x1.5	49.0	47.0	35.0	29.0	37.0	22.5	27.0	11.0	4.5	4.3	10
KFW-M20x1.5	83562412	grey	M20x1.5	49.0	47.0	35.0	29.0	37.0	22.5	27.0	11.0	4.5	4.3	10
KFW-M25x1.5	83562414	grey	M25x1.5	69.0	65.0	44.0	41.5	51.5	30.0	42.5	15.0	6.0	6.0	10
KFW-M32x1.5	83562416	grey	M32x1.5	90.0	78.0	55.0	64.5	64.5	40.0	68.0	9.0	16.0	6.5	10
KFW-M40x1.5	83562418	grey	M40x1.5	99.0	94.0	66.0	79.5	79.5	48.5	74.5	9.5	10.0	6.5	10
KFW-M50x1.5	83562420	grey	M50x1.5	116.0	101.0	76.0	87.5	87.5	68.5	89.5	9.5	16.0	6.5	10

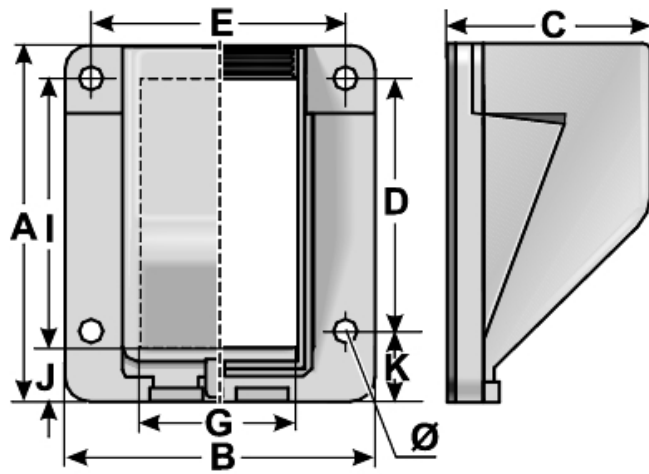
Pg version

KFW-11	83561650	black	Pg 11	49.0	47.0	35.0	29.0	37.0	22.5	27.0	11.0	4.5	4.3	10
KFW-16	83561652	black	Pg 16	49.0	47.0	35.0	29.0	37.0	22.5	27.0	11.0	4.5	4.3	10
KFW-21	83561654	black	Pg 21	69.0	65.0	44.0	41.5	51.5	30.0	42.5	15.0	6.0	6.0	10
KFW-29	83561656	black	Pg 29	90.0	78.0	55.0	64.5	64.5	40.0	68.0	9.0	16.0	6.5	10
KFW-36	83561658	black	Pg 36	99.0	94.0	66.0	79.5	79.5	48.5	74.5	9.5	10.0	6.5	10
KFW-48	83561660	black	Pg 48	116.0	101.0	76.0	87.5	87.5	68.5	89.5	9.5	16.0	6.5	10
KFW-11	83561610	grey	Pg 11	49.0	47.0	35.0	29.0	37.0	22.5	27.0	11.0	4.5	4.3	10
KFW-16	83561612	grey	Pg 16	49.0	47.0	35.0	29.0	37.0	22.5	27.0	11.0	4.5	4.3	10
KFW-21	83561614	grey	Pg 21	69.0	65.0	44.0	41.5	51.5	30.0	42.5	15.0	6.0	6.0	10
KFW-29	83561616	grey	Pg 29	90.0	78.0	55.0	64.5	64.5	40.0	68.0	9.0	16.0	6.5	10
KFW-36	83561618	grey	Pg 36	99.0	94.0	66.0	79.5	79.5	48.5	74.5	9.5	10.0	6.5	10
KFW-48	83561620	grey	Pg 48	116.0	101.0	76.0	87.5	87.5	68.5	89.5	9.5	16.0	6.5	10

Dimensional drawing



Up to M25/Pg21



From M32/Pg29

© 2001-2007 Murrplastik