



Type WSV 90° (angle plug-in fitting)

RoHS
compliant



-40 to 110 °C
transient 140 °C



Mod. polyamide
POM

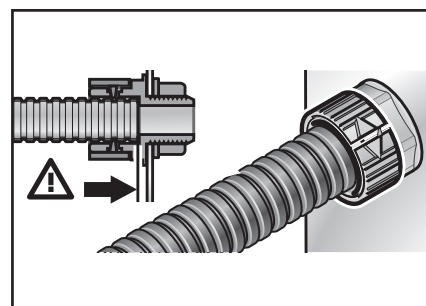
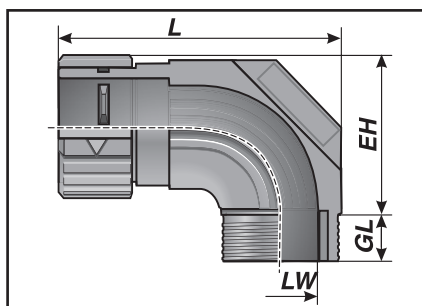
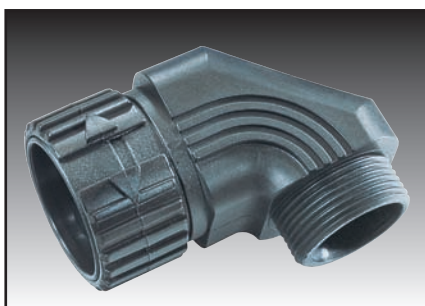


V1



IP 54
IP 65 with sealing ring DR-NBR

- Cost reduction through simplification of assembly work insert conduit → ready
- Extremely high packing density due to small installation dimensions
- Simple opening mechanism
- The interior is rounded, allowing easy insertion of the cable into the 90° angle
- Can be opened without tools
- Protection rating IP 65 with additional sealing ring (type DR-NBR)
- Cable protection conduit can still be rotated in the fitting



WSV 90°

Type	Order no.	Colour	Connecting thread	Suitable for Murrflex	EH mm	L mm	GL mm	LW mm	Pack qty.
Metric version									
WSV-M16x1.5/9	83605050	black	M16x1.5	M12/P9	26.0	42.0	7.5	10.0	50
WSV-M20x1.5/11	83605052	black	M20x1.5	M16/P11	29.0	50.0	8.0	12.0	50
WSV-M25x1.5/16	83605054	black	M25x1.5	M20/P16(S)	32.0	59.0	10.0	16.0	50
WSV-M32x1.5/21	83605056	black	M32x1.5	M25/P21(S)	39.0	69.0	11.0	22.0	25
WSV-M40x1.5/29	83605058	black	M40x1.5	M32/P29(S)	51.0	83.0	12.0	28.0	25
WSV-M50x1.5/36	83605060	black	M50x1.5	M40/P36(S)	70.0	107.0	15.0	35.0	10
WSV-M63x1.5/48	83605062	black	M63x1.5	M50/P48(S)	96.0	134.0	15.0	49.0	10
Pg version									
WSV-Pg 09	83601450	black	Pg 09	M12/P9	28.5	50.0	8.0	13.0	50
WSV-Pg 11	83601452	black	Pg 11	M16/P11	28.5	49.0	8.0	13.0	50
WSV-Pg 13.5/16	83601454	black	Pg 13.5	M20/P16(S)	32.0	59.0	10.0	16.0	50
WSV-Pg 16	83601456	black	Pg 16	M20/P16(S)	32.0	59.0	10.0	16.0	50
WSV-Pg 21	83601458	black	Pg 21	M25/P21(S)	38.5	69.0	11.5	22.0	25
WSV-Pg 29	83601460	black	Pg 29	M32/P29(S)	50.5	82.0	12.0	28.0	25
WSV-Pg 36	83601462	black	Pg 36	M40/P36(S)	70.0	106.0	15.5	35.0	10
WSV-Pg 48	83601464	black	Pg 48	M50/P48(S)	96.0	134.0	16.0	49.0	10

Type WSV 90° (angle plug-in fitting)

RoHS
compliant

Type	Order no.	Colour	Connecting thread	Suitable for Murrflex	EH mm	L mm	GL mm	LW mm	Pack qty.
WSV-Pg 09	83601410	grey	Pg 09	M12/P9	28.5	50.0	8.0	13.0	50
WSV-Pg 11	83601412	grey	Pg 11	M16/P11	28.5	49.0	8.0	13.0	50
WSV-Pg 13.5/16	83601414	grey	Pg 13.5	M20/P16(S)	32.0	59.0	10.0	16.0	50
WSV-Pg 16	83601416	grey	Pg 16	M20/P16(S)	32.0	59.0	10.0	16.0	50
WSV-Pg 21	83601418	grey	Pg 21	M25/P21(S)	38.5	69.0	11.5	22.0	25
WSV-Pg 29	83601420	grey	Pg 29	M32/P29(S)	50.5	82.0	12.0	28.0	25
WSV-Pg 36	83601422	grey	Pg 36	M40/P36(S)	70.0	106.0	15.5	35.0	10
WSV-Pg 48	83601424	grey	Pg 48	M50/P48(S)	96.0	134.0	16.0	49.0	10
NPT version									
WSV-NPT-3/8"/11	83602052	black	3/8"	M16/P11	28.0	49.0	8.0	13.0	50
WSV-NPT-1/2"/16	83602056	black	1/2"	M20/P16(S)	32.0	59.0	10.0	16.0	50
WSV-NPT-3/4"/21	83602058	black	3/4"	M25/P21(S)	39.0	69.0	10.0	22.0	25
WSV-NPT-1"/29	83602060	black	1"	M32/P29(S)	51.0	83.0	12.0	28.0	25
WSV-NPT-3/8"/11	83602012	grey	3/8"	M16/P11	28.0	49.0	8.0	13.0	50
WSV-NPT-1/2"/16	83602016	grey	1/2"	M20/P16(S)	32.0	59.0	10.0	16.0	50
WSV-NPT-3/4"/21	83602018	grey	3/4"	M25/P21(S)	39.0	69.0	10.0	22.0	25
WSV-NPT-1"/29	83602020	grey	1"	M32/P29(S)	51.0	83.0	12.0	28.0	25

Sealing ring for protection rating of IP 65, see under type DR-NBR in this chapter

IP54

