



Type SA-Jumbo (flange connection)

RoHS
compliant

 -40 to 110 °C
transient 140 °C

 Mod. polyamide

 V0

 IP 52
IP 65 with DS seal

Straight flange connection for Jumbo cable protection conduit

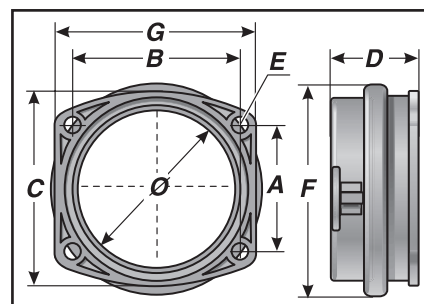
- Split ring makes assembly easy
- High tear-out strength thanks to inherently stable connection ring
- No sealing → conduit turns in the fitting
- With sealing → higher level of protection
- O-ring for flange/housing included in delivery



SA-Jumbo



DS



Type	Order no.	Colour	Suitable for Murrflex	A mm	B mm	C mm	D mm	E mm	F mm	G mm	Ø mm	Pack qty.
------	-----------	--------	-----------------------	------	------	------	------	------	------	------	------	-----------

SA 70	83681014	black	70	60.0	80.0	94.0	52.0	7.5	106.0	96.0	70.0	1
-------	----------	-------	----	------	------	------	------	-----	-------	------	------	---

SA 95	83681016	black	95	74.0	108.0	126.0	52.0	7.5	132.0	126.0	95.0	1
-------	----------	-------	----	------	-------	-------	------	-----	-------	-------	------	---

SA 70	83681010	grey	70	60.0	80.0	94.0	52.0	7.5	106.0	96.0	70.0	1
-------	----------	------	----	------	------	------	------	-----	-------	------	------	---

SA 95	83681012	grey	95	74.0	108.0	126.0	52.0	7.5	132.0	126.0	95.0	1
-------	----------	------	----	------	-------	-------	------	-----	-------	-------	------	---

Seal for IP 65 (conduit connection/fitting):

DS 70	83101238											1
-------	----------	--	--	--	--	--	--	--	--	--	--	---

DS 95	83101240											1
-------	----------	--	--	--	--	--	--	--	--	--	--	---