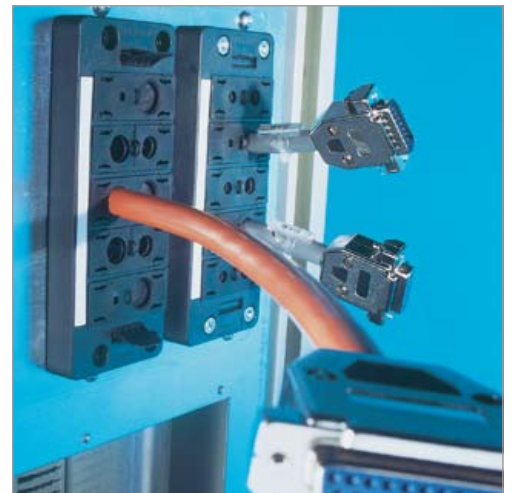
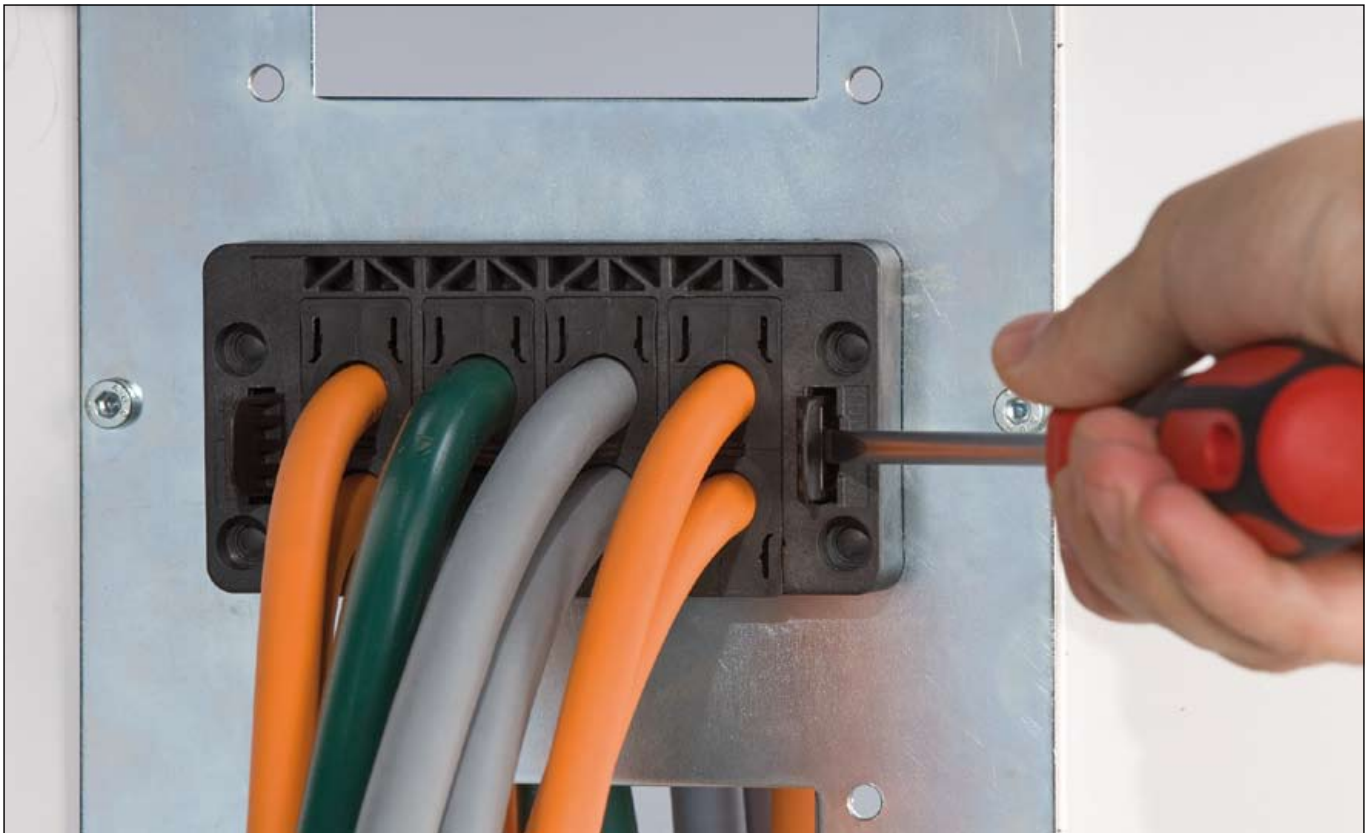


KDL/E cable entry system





Advantages



We go at everything head first

Even faster and simpler assembly of pre-fabricated conduits.

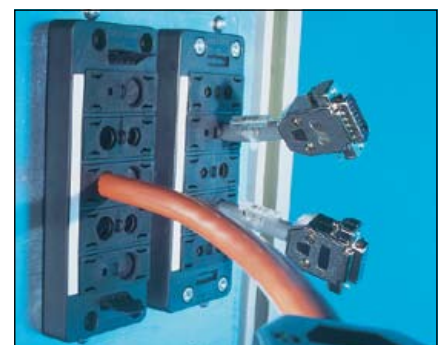
The KDL/E replaces the well established KDL/N model.

The single-piece frame no longer needs to be joined together.

The provided catch hooks significantly speed up mounting of the entire plate, e.g. on the control cabinet.

Vario grommets reduce the need for grommets with different diameters.

This ultimately means significantly simpler and quicker assembly in general.



- ✓ Cable insertion without interruption
- ✓ Simple mounting
- ✓ Single-piece frame
- ✓ Snap-in from 1.5 – 4.1 mm
- ✓ No need to screw on
- ✓ Strain relief
- ✓ Protection class IP 54



Cable entry system, type KDL / E

The KDL/E cable entry system represents further development of the third KDL generation. The advantage here is quicker assembly at double the capacity. Optionally, the KDL/E can additionally be snapped in. **Page 17**



Cable entry grommets, type KDT/xE

In conjunction with the KDL/E cable entry system, the KDT/xE cable entry grommet can be used to easily route pre-assembled cables e.g. in control cabinets. **Page 18**



**Snap-on mounting
Screw-on mounting**

Detailed construction and assembly instructions for the snap-on/screw-on fittings. **Page 20**



KDL / E cable entry system

Selection table (possible combinations of cable entry systems and grommets)

Matching cable entry grommets:

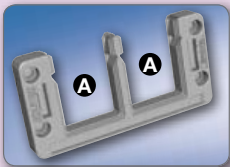
Types • KDT/ZE • KDT/VE • ATG/E • SDT/ZE • BTK/E • BTG/E

Grommet, large **A**

for cables 16–31 mm in diameter

Grommet, small **B**

for cables 3–16 mm in diameter



KDL/E 16/2
Item no. 87121010

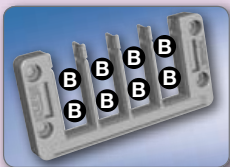
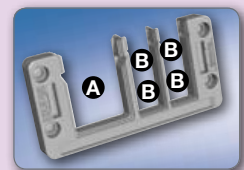
2

0

1

4

KDL/E 16/5
Item no. 87121012



KDL/E 16/8
Item no. 87121014

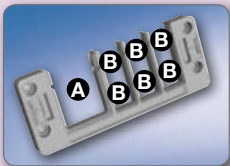
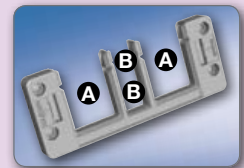
0

8

2

2

KDL/E 24/4
Item no. 87121016



KDL/E 24/7
Item no. 87121018

1

6

0

10

KDL/E 24/10
Item no. 87121020



Material data for the entire system (cable entry systems with grommets)



Halogen-free



Phosphorous-free



Cadmium-free



Asbestos-free



Lead-free



Silicone-free



All components of the entire grommet-configured system KDL/E conform with ROHS and are characterised by the IP class 54 (except for double cable grommets).

Additionally all components are free of halogen, phosphorous, cadmium, asbestos, lead and silicone.

The entire system can be used within

temperature range of -40°C to 80°C (transient to 100°C) and features the fire classification HB.

All system components feature an UR approval.

The cable entry systems type KDL/E are made of polyamide 6.6, the corresponding grommets care made of thermoplastic rubber.

Cable entry system, type KDL / E

Made in Germany
RoHS compliant



System
-40 – 80 °C, transient 100 °C



Polyamide 6.6



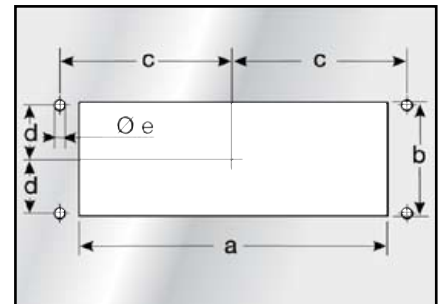
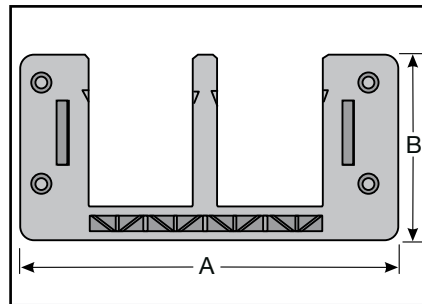
V0



IP 54
(with suitable grommets and cables)

The KDL/E represents the 3rd generation of Murrplastik cable entry system.

- Even quicker mounting of pre-assembled cables
- Snap in, meaning screwing on is no longer absolutely necessary
- Catch hook for 1.5 – 2.0 mm plate thickness included with delivery, additional catch hooks for up to 4.1 mm plate thickness available.
- Fits standard cut-outs for connectors (e.g. Harting, Wieland and Rittal).
- Simple realization of EMC solution with discharge plate



KDL/E...

Type	Order no.	Colour	No. openings small / large	Installation height mm	For plate thickness mm	A mm	B mm	a mm	b mm	c mm	d mm	e mm	Pack qty.
for standard cut-outs, size 16													
KDL/E 16/2	87121010	black	- / 2	15.5	-	116.0	58.0	86.0	36.0	51.5	16.0	5.5	1
KDL/E 16/5	87121012	black	4 / 1	15.5	-	116.0	58.0	86.0	36.0	51.5	16.0	5.5	1
KDL/E 16/8	87121014	black	8 / -	15.5	-	116.0	58.0	86.0	36.0	51.5	16.0	5.5	1
If catch hooks are used, then the width of the cut-out must be enlarged by 91 mm.													
for standard cut-outs, size 24													
KDL/E 24/4	87121016	black	2 / 2	15.5	-	146.0	58.0	112.0	36.0	65.0	16.0	5.5	1
KDL/E 24/7	87121018	black	6 / 1	15.5	-	146.0	58.0	112.0	36.0	65.0	16.0	5.5	1
KDL/E 24/10	87121020	black	10 / -	15.5	-	146.0	58.0	112.0	36.0	65.0	16.0	5.5	1
Matching adapter plates or floor sheeting													
See chapter "Accessories for cable entry systems and plates"													
Replacement parts:													
Catch hooks 1.5 – 2.0 mm	8712102000	black	-		1.5 – 2.0								10
Catch hooks 2.1 – 2.7 mm	8712101800	black	-		2.1 – 2.7								10
Catch hooks 2.8 – 3.4 mm	8712101600	black	-		2.8 – 3.4								10
Catch hooks 3.5 – 4.1 mm	8712101400	black	-		3.5 – 4.1								10
Matching grommets KDT/ZE; KDT/VE; ATG/E; SDT/ZE; BTK/E; BTG/E													
Matching EMC discharge plate, type KDL/N-AB... in chapter "Accessories for cables entry systems and plates"													
Matching label plate, type KS KDL/E, see catalogue ACS.													
The correct tool for completing the cutaway can be found in the chapter on "Punching tools".													









KDL/E cable entry system

Cable entry grommets, type KDT/xE

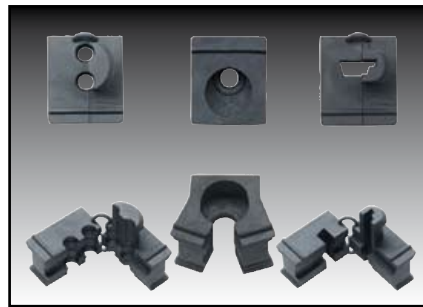


-  -40 – 80 °C, transient 100 °C
-  Thermoplastic rubber
-  HB
-  IP 54
(with matching cables)

In conjunction with the KDL/E cable entry system, the KDT/xE cable entry grommet can be used to easily route pre-assembled cables e.g. in control cabinets. The grommet is 2-pce. and is positioned around the cable. The grommets are equipped with catch hooks that anchor themselves in the KDL/E when positioning. Strain relief for type KDT/ZE is achieved using a simple cable tie. Type KDT/VE is a vario grommet without strain relief which covers a larger clamping range.



Standard grommets



Special grommets



Type	Order no.	Colour	For Ø mm	For entry small / large	No. Openings	Suitable for conduit	Pack qty.
Grommet, small							
KDT/ZE 03	87121210	black	3 – 4	● / -	1		10
KDT/ZE 04	87121212	black	4 – 5	● / -	1		10
KDT/ZE 05	87121214	black	5 – 6	● / -	1		10
KDT/ZE 06	87121216	black	6 – 7	● / -	1		10
KDT/ZE 07	87121218	black	7 – 8	● / -	1		10
KDT/ZE 08	87121220	black	8 – 9	● / -	1		10
KDT/ZE 09	87121222	black	9 – 10	● / -	1		10
KDT/ZE 10	87121224	black	10 – 11	● / -	1		10
KDT/ZE 11	87121226	black	11 – 12	● / -	1		10
KDT/ZE 12	87121228	black	12 – 13	● / -	1		10
KDT/ZE 13	87121230	black	13 – 14	● / -	1		10
KDT/ZE 14	87121232	black	14 – 15	● / -	1		10
KDT/ZE 15	87121234	black	15 – 16	● / -	1		10
Grommet, large							
KDT/ZE 16	87121236	black	16 – 17	- / ●	1		10
KDT/ZE 17	87121238	black	17 – 18	- / ●	1		10
KDT/ZE 18	87121240	black	18 – 19	- / ●	1		10
KDT/ZE 19	87121242	black	19 – 20	- / ●	1		10
KDT/ZE 20	87121244	black	20 – 21	- / ●	1		10
KDT/ZE 21	87121246	black	21 – 22	- / ●	1		10
KDT/ZE 22	87121248	black	22 – 23	- / ●	1		10
KDT/ZE 23	87121250	black	23 – 24	- / ●	1		10
KDT/ZE 24	87121252	black	24 – 25	- / ●	1		10
KDT/ZE 25	87121254	black	25 – 26	- / ●	1		10
KDT/ZE 26	87121256	black	26 – 27	- / ●	1		10
KDT/ZE 27	87121258	black	27 – 28	- / ●	1		10

Cable entry grommets, type KDT/xE

Made in Germany
RoHS compliant



Type	Order no.	Colour	For Ø mm	For entry small / large	No. Openings	Suitable for conduit	Pack qty.
KDT/ZE 28	87121260	black	28 – 29	- / ●	1		10
KDT/ZE 29	87121262	black	29 – 30	- / ●	1		10
KDT/ZE 30	87121264	black	30 – 31	- / ●	1		10
Variable cable grommet (Protection class IP 42)							
KDT/VE 3-7 *	87121272	black	3 – 7	● / -	1		10
KDT/VE 7 – 10 *	87121274	black	7 – 10	● / -	1		10
Double cable grommet							
KDT/ZE 2x4 *	87121284	black	4 – 4.5	● / -	2		10
KDT/ZE 2x5 *	87121286	black	5 – 5.5	● / -	2		10
KDT/ZE 2x6 *	87121288	black	6 – 6.5	● / -	2		10
ASI grommet							
KDT/ZE 2xASI *	87121280	black	ASI cable	● / -	2		10
KDT/ZE ASI *	87121282	black	ASI cable	● / -	1		10
Adapter grommet							
ATG/E *	87121268	black	Adapter for small grommet	- / ●	1		10
Conduit grommet							
SDT/ZE 07 *	87174250	black		● / -	1	EW-M10/P7	10
SDT/ZE 09 *	87174252	black		● / -	1	EW-M12/P9	10
SDT/ZE 11 *	87174254	black		● / -	1	EW-M16/P11	10
SDT/ZE 16 *	87174256	black		- / ●	1	EW-M20/P16	10
SDT/ZE 21 *	87174258	black		- / ●	1	EW-M25/P21	10
xx = PA or PP							
Dummy grommet							
BTK/E *	87121266	black	Dummy grommet, small	● / -	0		10
BTG/E *	87121270	black	Dummy grommet, large	- / ●	0		10

* no UR authorisation

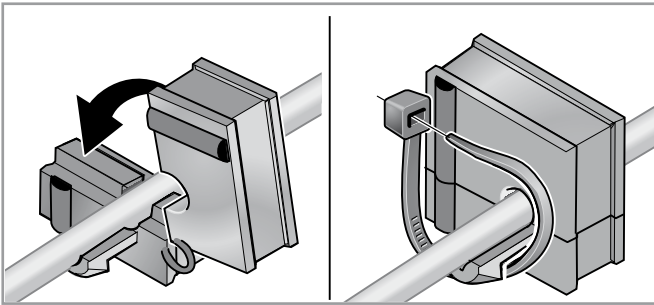
Grommets match: KDL/E 16; KDL/E 24



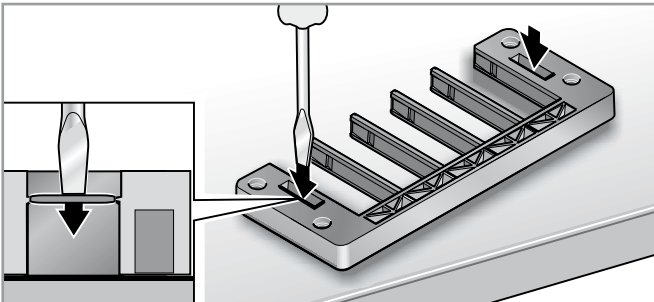


KDL/E cable entry system

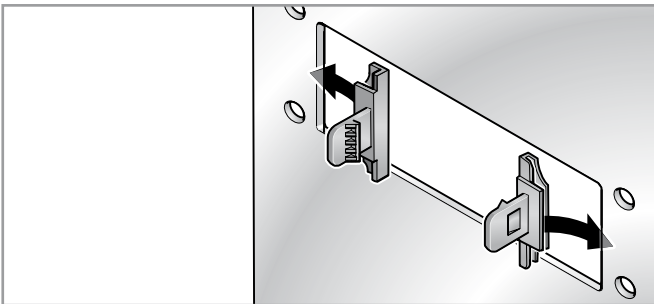
Snap-on mounting



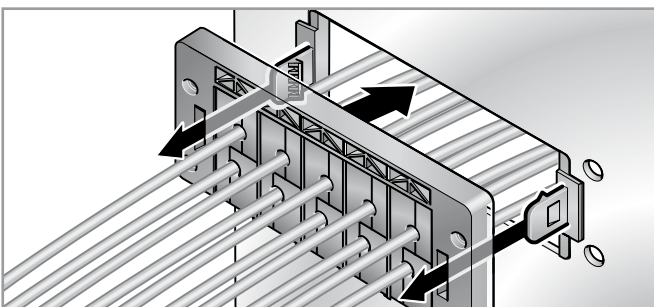
Lay the cable into an appropriate grommet and provide strain relief where necessary using cable ties.



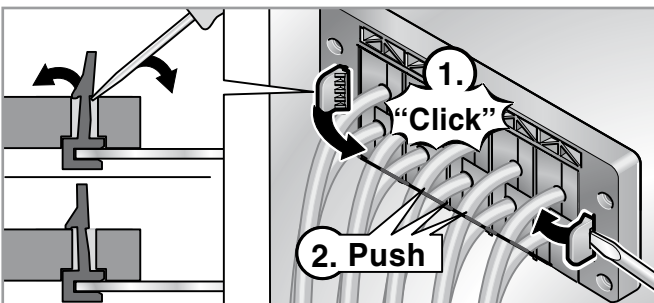
Use appropriate tool to punch through cover on base frame.



Set catch hooks into the sides of the cut-out. Mind the plate thickness.

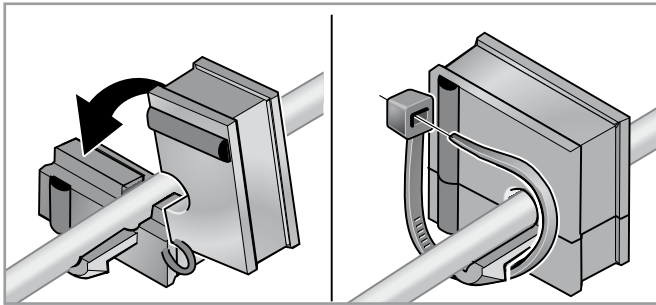


Insert rail completely. The grommet must produce a continuous seal on the back side. Set the rail onto the catch hooks and press on.

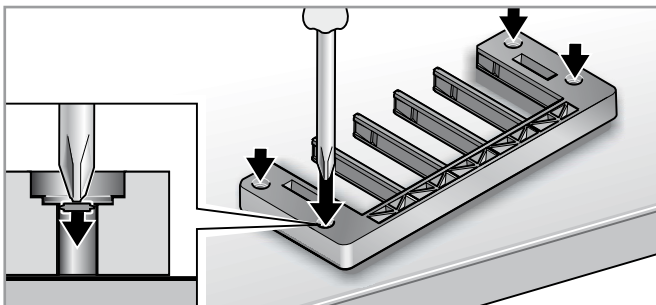


Lock the catch hooks with the rail. Press gently on the grommets one more time.

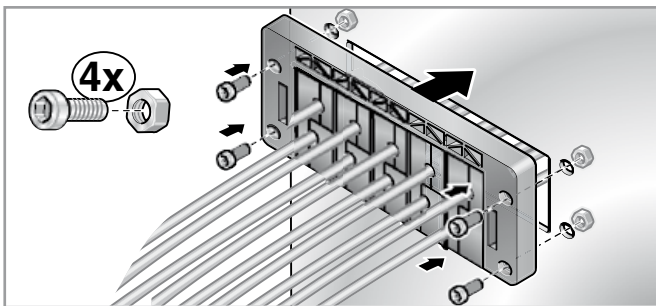
Screw-on mounting



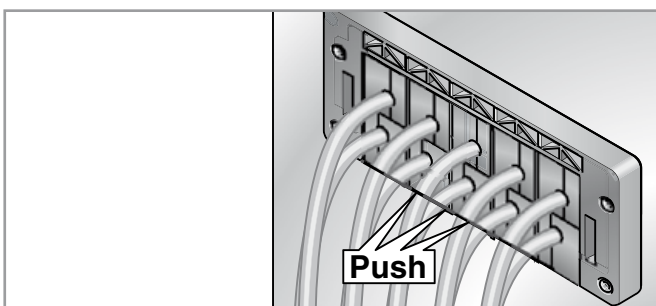
Lay the cable into an appropriate grommet and provide strain relief where necessary using cable ties.



Use appropriate tool to punch through cover on base frame.



Insert rail completely. The grommet must produce a continuous seal on the back side. Fix rail with 4 screws. Do not exceed the maximum torque.



Press gently on the grommets one more time.