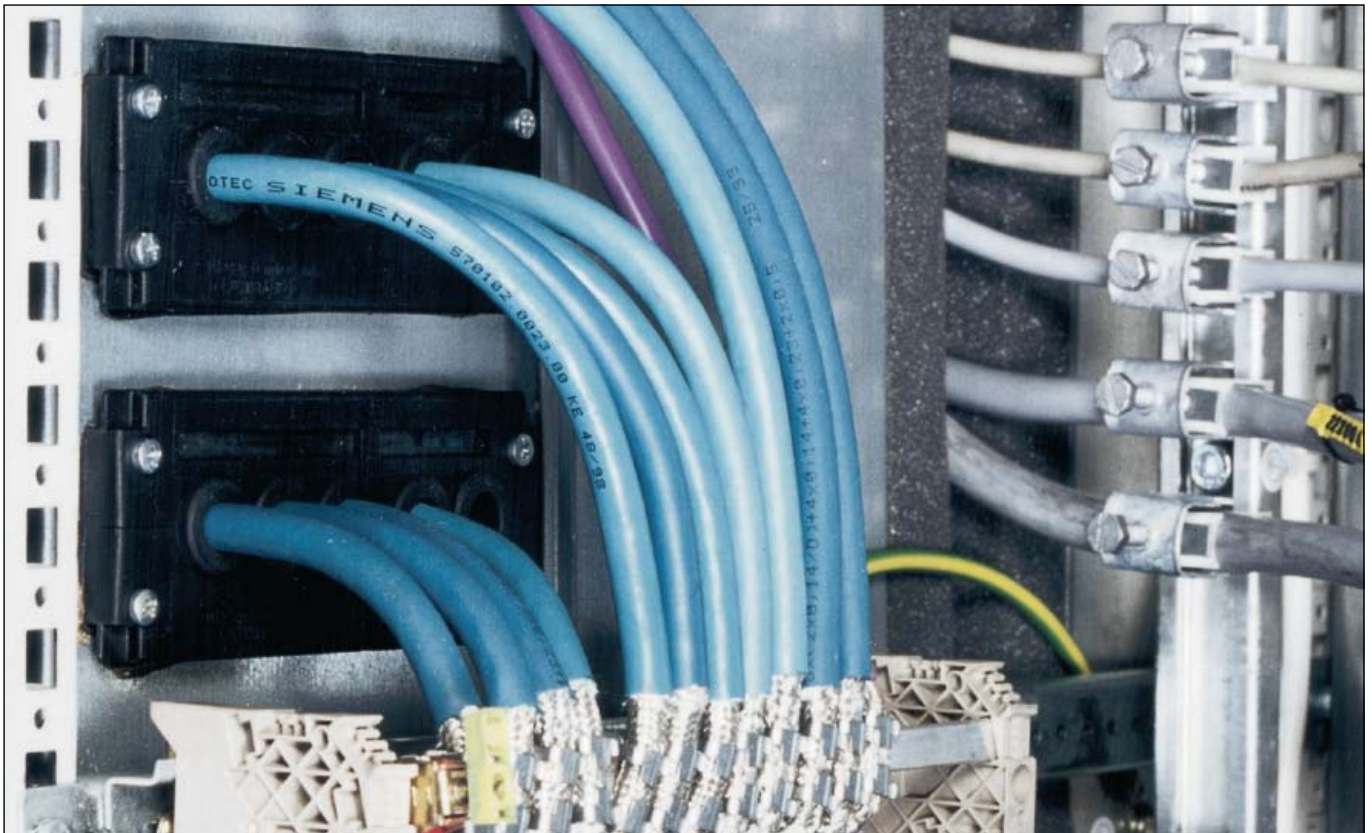


KDL cable entry system



Advantages



Assembling high-tech plugs securely in the control cabinet

No need to keep cutting the plug off your cable!

It is so easy to introduce pre-assembled plugs into the control cabinet. Cables with attached plugs are often high-tech products which cannot be cut without invalidating the guarantee for the system.

Thanks to the split rail and the split grommets, the cable with plug can be easily mounted in the cable entry system.

As the saying goes:
it's an open and shut case!

The KDL can quickly and simply insert up to 30 conduits the control cabinet.



- ✓ Cable insertion without interruption
- ✓ Simple mounting
- ✓ Strain relief
- ✓ Protection class IP 54
- ✓ High packing density
- ✓ Cable & plug manufacturer's system guarantee remains valid

Overview



Cable entry system KDL (KDL 16, KDL 24, KDL 2/10, KDL 3/15)

The KDL is a cable entry system for inserting pre-assembled cables. Suitable for cut-outs for 16-pole and 24-pole Harting and Wieland connectors.

Page 28



Cable entry connector housing, type KD/SG

The KD/SG connector housing can be adapted using the mounting enclosure from Harting or Wieland. Mounting and/or unmounting is simple and requires no tools.

Page 29



Cable entry mounting enclosure, type KD/AG

The mounting enclosure is able to accommodate the split connector housing which allows you to easily introduce pre-assembled cables into the control cabinet.

Page 30



Cable entry grommets, type KDT/Z (standard)

The cable entry grommet KDT/Z allows the fitting of cables from 3 – 29 mm in size in the cable entry system KDL.

Page 31



Cable entry grommets, type KDT/Z-L (paint spraying sector)

The grommet was specially conceived for use in the paint spraying sector. The material contains no wet paint impairment substances.

Page 33



Cable entry grommets, type KDT/Z-V0 (fire classification V0)

These cable entry grommets are self-extinguishing (V0) based on UL 94. With this, cables of 3–29 mm can be fitted into the cable entry system KDL.

Page 35



Configuration and mounting of the cable entry system KDL

Detailed construction and assembly instructions for the screw fittings.

Page 37



KDL cable entry system

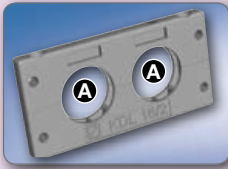

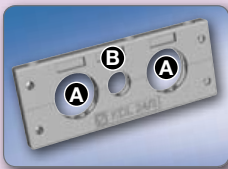

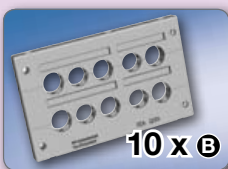
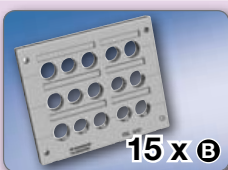

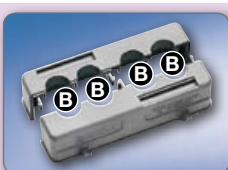
Selection table (possible combinations of cable entry systems and grommets)

Matching cable entry grommets:

Types • KDT/Z • BTK 17 • BTG 32 • ATG • KDT/ASI • SDT/Z

Grommet, large **A**
for cables 16–29 mm in diameter

Grommet, small **B**
for cables 3–16 mm in diameter

		Grommet, large A for cables 16–29 mm in diameter	Grommet, small B for cables 3–16 mm in diameter
 <p>KDL 16/2 Black: Item no. 87171010 Grey: Item no. 87171050</p>		2	0
 <p>KDL 16/4 Black: Item no. 87171012 Grey: Item no. 87171052 4 x B</p>		0	4
 <p>KDL 24/3 Black: Item no. 87171014 Grey: Item no. 87171054</p>		2	1
 <p>KDL 24/5 Black: Item no. 87171016 Grey: Item no. 87171056 5 x B</p>		0	5
 <p>KDL 2/10 Black: Item no. 87171017 Grey: Item no. 87171057 10 x B</p>		0	10
 <p>KDL 3/15 Black: Item no. 87171018 15 x B</p>		0	15
 <p>KD/SG 16/3 Grey: Item no. 87171032 3 x B</p>		0	3
 <p>KD/SG 24/4 Grey: Item no. 87171034 4 x B</p>		0	4

Material data for the entire system (cable entry systems with grommets)



Halogen-free



Phosphorous-free



Cadmium-free



Asbestos-free



Lead-free



Silicone-free



All components of the entire grommet-configured system KDL conform with ROHS and are characterised by the IP class 54 (except for double cable grommets).

Additionally all components are free of halogen, phosphorous, cadmium, asbestos, lead and silicone.

The entire system can be used within temperature range of -40°C to 80°C (transient 100°C)

The cable entry systems type KDL are made of polyamide 6.6, the corresponding grommets are made of thermoplastic rubber.

Material data for individual components





Type	Material	Fire classification according to UL 94	Railway approvals	
			 Germany	 France
KDL 16/x	Polyamide 6.6	V0	✓	✓
KDL 24/x	Polyamide 6.6	V0	✓	✓
KDL 2/10	Polyamide 6.6	V0	✓	✓
KDL 3/15	Polyamide 6.6	V0	✓	✓
KD/SG	Polycarbonate	V0		
KD/AG	Polycarbonate/Steel Aluminium/Steel	–		
KDT/Z	Thermoplastic rubber	HB		
KDT/Z-L	Thermoplastic rubber	HB		
KDT/Z-V0	Thermoplastic rubber	V0		



KDL cable entry system

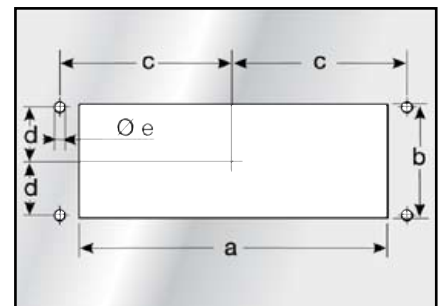
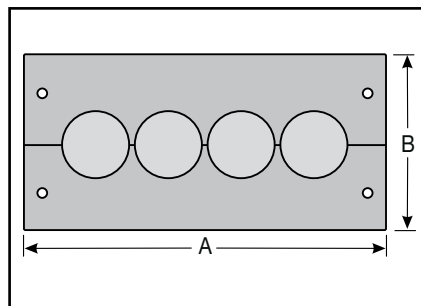
Cable entry system, type KDL



-  System
-40 – 80 °C, transient 100 °C
-  Polyamide 6.6
-  V0
-  IP 54
(with suitable grommets and cables)

The KDL is a cable entry system for inserting pre-assembled cables. The types KDL 16 /xx fit on cut-outs for 16-pin connectors, the types KDL 24 /xx fit on cut-outs for 24-pin connectors, from Harting or Wieland.

- Simple mounting of pre-assembled cables
- Fits standard cut-outs
- Simple strain relief for cables using cable ties
- Simple realization of EMC solution with discharge plate







KDL...

Type	Order no.	Colour	No. of openings small / large	A mm	B mm	Installation height mm	a mm	b mm	c mm	d mm	e mm	Pack qty.
for standard cut-outs, size 16												
KDL 16/2	87171010	black	- / 2	116.0	58.0	10.0	86.0	36.0	51.5	16.0	5.5	1
KDL 16/4	87171012	black	4 / -	116.0	58.0	10.0	86.0	36.0	51.5	16.0	5.5	1
KDL 16/2	87171050	grey	- / 2	116.0	58.0	10.0	86.0	36.0	51.5	16.0	5.5	1
KDL 16/4	87171052	grey	4 / -	116.0	58.0	10.0	86.0	36.0	51.5	16.0	5.5	1
Replacement parts:												
Replacement seal KDL16	87980005											1
for standard cut-outs, size 24												
KDL 24/3	87171014	black	1 / 2	146.0	58.0	10.0	112.0	36.0	65.0	16.0	5.5	1
KDL 24/5	87171016	black	5 / -	146.0	58.0	10.0	112.0	36.0	65.0	16.0	5.5	1
KDL 24/3	87171054	grey	1 / 2	146.0	58.0	10.0	112.0	36.0	65.0	16.0	5.5	1
KDL 24/5	87171056	grey	5 / -	146.0	58.0	10.0	112.0	36.0	65.0	16.0	5.5	1
Replacement parts:												
Replacement seal KDL24	87980004											1
Enlarged cut-out for 10 – 30 cables												
KDL 2/10	87171017	black	10 / -	146.0	90.0	10.0	120.0	60.0	65.0	32.0	5.5	1
KDL 2/10	87171057	grey	10 / -	146.0	90.0	10.0	120.0	60.0	65.0	32.0	5.5	1
KDL 3/15	87171018	black	15 / -	146.0	122.0	10.0	120.0	96.0	65.0	48.0	5.5	1
Matching grommets KDT/Z; BTK 17; BTG 32; ATG; KDT/ASI; SDT/Z												
Matching EMC discharge plate, type KDL-AB... in chapter "Accessories for cables entry systems and plates"												
Matching label plate (See ACS catalogue): Type KSS 20 x 9 or KSS 10 x 8												
The correct tool for completing the cutaway can be found in the chapter on "Punching tools".												

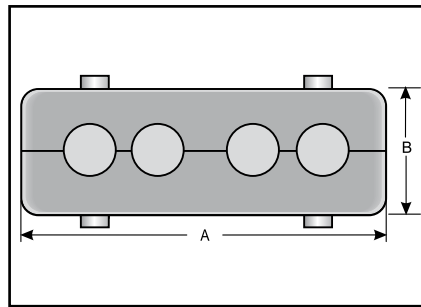
Cable entry connector housing, type KD/SG

Made in Germany
RoHS compliant

-  System
-40 – 80 °C, transient 100 °C
-  Polycarbonate
-  V0
-  IP 54
(with suitable grommets and cables)

The KD/SG connector housing is another option for inserting pre-assembled wiring into an enclosure. The KD/SG connector housing can be adapted using the mounting enclosure from Harting or Wieland. Mounting and/or unmounting of the KD/SG is simple and requires no tools.

- Simple mounting of pre-assembled cables
- Simple strain relief for cables using cable ties
- No tools required to separate connector housing from mounting enclosure



KD/SG...

Type	Order no.	Colour	No. of openings small / large	Suitable for	A mm	B mm	Pack qty.
KD/SG-16/3	87171032	grey	3 / -	KD/AG-16H	94	43	1
KD/SG-24/4	87171034	grey	4 / -	KD/AG-24...	120	43	1

Matching grommets

KDT/Z; BTK 17; KDT/ASI; SDT/Z

Matching label plate (See ACS catalogue):




Type KSS 20 x 9 or KSS 10 x 8



KDL cable entry system

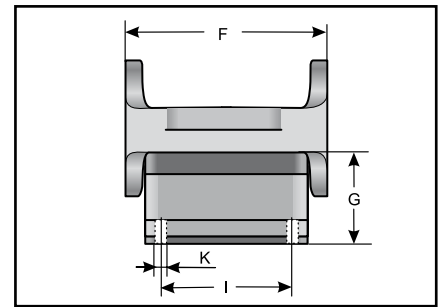
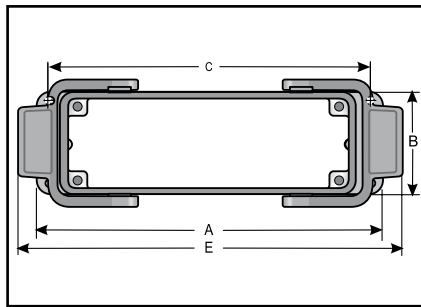
Mounting enclosure type KD/AG



-  System
-40 – 80 °C, transient 100 °C
-  Polycarbonate/Steel
Aluminium die-casting/Steel
-  IP 54

The mounting enclosure is able to accommodate the split connector housing which allows you to easily introduce pre-assembled cables into the control cabinet. Version H in aluminium die-casting with steel catches.

- Simple mounting of pre-assembled cables
- Fits standard cut-outs from Harting and Wieland
- No tools required to separate connector housing from mounting enclosure



KD/AG...


Type	Order no.	Colour	Suitable for	A mm	B mm	C mm	E mm	F mm	G mm	I mm	K mm	Pack qty.
KD/AG-16H *	87191132	grey	KD/SG-16/3	113	44	103	137	55	27	32	4.5	1
KD/AG-24H	87191134	grey	KD/SG-24/4	140	44	130	155	55	27	32	4.5	1
KD/AG-24	87171144	grey	KD/SG-24/4	140	44	130	155	55	27	32	4.5	1

* Reduction of cut-out from 24-pole connector to 16-pole connector is possible through the AP 24/16 adapter plate.

The right tool for cut-out production can be found in the chapter "Punching tools"


Cable entry grommets, type KDT/Z (standard)

Made in Germany
RoHS compliant

 -40 – 80 °C, transient 100 °C

 Thermoplastic rubber

 HB

 IP 54
(with matching cables)

The cable entry grommet KDT/Z allows the fitting of cables from 3 – 29 mm in size in the cable entry system KDL. Strain relief can be provided quickly and easily for cables using cable ties.



KDT/Z...

Type	Order no.	Colour	For Ø mm	For entry small / large	No. openings	Suitable for conduit	Pack qty.
Grommet, small							
KDT/Z 03	87171212	black	3 – 4	● / -	1		10
KDT/Z 04	87171214	black	4 – 5	● / -	1		10
KDT/Z 05	87171216	black	5 – 6	● / -	1		10
KDT/Z 06	87171218	black	6 – 7	● / -	1		10
KDT/Z 07	87171220	black	7 – 8	● / -	1		10
KDT/Z 08	87171222	black	8 – 9	● / -	1		10
KDT/Z 09	87171224	black	9 – 10	● / -	1		10
KDT/Z 10	87171226	black	10 – 11	● / -	1		10
KDT/Z 11	87171228	black	11 – 12	● / -	1		10
KDT/Z 12	87171230	black	12 – 13	● / -	1		10
KDT/Z 13	87171232	black	13 – 14	● / -	1		10
KDT/Z 14	87171234	black	14 – 15	● / -	1		10
KDT/Z 15	87171236	black	15 – 16	● / -	1		10
Grommet, large							
KDT/Z 16	87171412	black	16 – 17	- / ●	1		10
KDT/Z 17	87171414	black	17 – 18	- / ●	1		10
KDT/Z 18	87171416	black	18 – 19	- / ●	1		10
KDT/Z 19	87171418	black	19 – 20	- / ●	1		10
KDT/Z 20	87171420	black	20 – 21	- / ●	1		10
KDT/Z 21	87171422	black	21 – 22	- / ●	1		10
KDT/Z 22	87171424	black	22 – 23	- / ●	1		10
KDT/Z 23	87171426	black	23 – 24	- / ●	1		10
KDT/Z 24	87171428	black	24 – 25	- / ●	1		10
KDT/Z 25	87171430	black	25 – 26	- / ●	1		10
KDT/Z 26	87171432	black	26 – 27	- / ●	1		10
KDT/Z 27	87171434	black	27 – 28	- / ●	1		10
KDT/Z 28	87171436	black	28 – 29	- / ●	1		10



KDL cable entry system

Cable entry grommets, type KDT/Z (standard)



Type	Order no.	Colour	For Ø mm	For entry small / large	No. openings	Suitable for conduit	Pack qty.
Double cable grommet (IP 20)							
KDT/Z 2x4	87175214	black	3.5 – 4	● / -	2		10
KDT/Z 2x6	87175218	black	5.5 – 6	● / -	2		10
Dummy grommet							
BTK 17 (dummy grommet)	87171210	black		● / -	0		10
BTG 32 (dummy grommet)	87171410	black		- / ●	0		10
Adapter grommet							
ATG (adapter grommet)	87171610	black		- / ●	1		10
ASI grommet							
KDT/ASI	87171238	black		● / -	1	ASI cable	10
Cable protection conduit- grommet							
SDT/Z 07	87172210	black		● / -	1	EW-M10/P7	10
SDT/Z 09	87172212	black		● / -	1	EW-M12/P9	10
SDT/Z 11	87172214	black		● / -	1	EW-M16/P11	10
SDT/Z 16	87172216	black		- / ●	1	EW-M20/P16	10
SDT/Z 21	87172218	black		- / ●	1	EW-M25/P21	10
Grommets match: KDL 16; KDL 24; KDL 2/10; KDL 3/15; KD/SG							

Cable entry grommets, type KDT/Z-L (paint spraying sector)

Made in Germany
RoHS compliant



-40 – 80 °C, transient 100 °C



Thermoplastic rubber



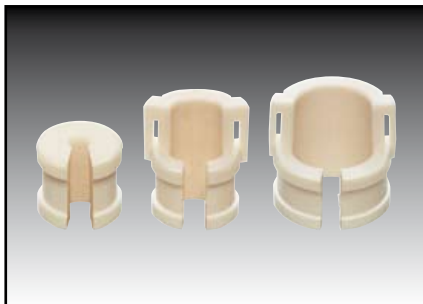
HB



Free of LABS substances

The KDT/Z-L cable insertion grommet is a cable insertion grommet for wires from 3 to 29 mm. The grommet was specially conceived for use in the paint spraying sector.

The material contains no wet paint impairment substances. Strain relief can be provided quickly and easily for cables using cable ties.



KDT/Z-L...

Type	Order no.	Colour	For Ø mm	For entry small / large	No. openings	Suitable for conduit	Pack qty.
Grommet, small							
KDT/Z-L 03	87173212	white	3 – 4	● / -	1		10
KDT/Z-L 04	87173214	white	4 – 5	● / -	1		10
KDT/Z-L 05	87173216	white	5 – 6	● / -	1		10
KDT/Z-L 06	87173218	white	6 – 7	● / -	1		10
KDT/Z-L 07	87173220	white	7 – 8	● / -	1		10
KDT/Z-L 08	87173222	white	8 – 9	● / -	1		10
KDT/Z-L 09	87173224	white	9 – 10	● / -	1		10
KDT/Z-L 10	87173226	white	10 – 11	● / -	1		10
KDT/Z-L 11	87173228	white	11 – 12	● / -	1		10
KDT/Z-L 12	87173230	white	12 – 13	● / -	1		10
KDT/Z-L 13	87173232	white	13 – 14	● / -	1		10
KDT/Z-L 14	87173234	white	14 – 15	● / -	1		10
KDT/Z-L 15	87173236	white	15 – 16	● / -	1		10
Grommet, large							
KDT/Z-L 16	87173412	white	16 – 17	- / ●	1		10
KDT/Z-L 17	87173414	white	17 – 18	- / ●	1		10
KDT/Z-L 18	87173416	white	18 – 19	- / ●	1		10
KDT/Z-L 19	87173418	white	19 – 20	- / ●	1		10
KDT/Z-L 20	87173420	white	20 – 21	- / ●	1		10
KDT/Z-L 21	87173422	white	21 – 22	- / ●	1		10
KDT/Z-L 22	87173424	white	22 – 23	- / ●	1		10
KDT/Z-L 23	87173426	white	23 – 24	- / ●	1		10
KDT/Z-L 24	87173428	white	24 – 25	- / ●	1		10
KDT/Z-L 25	87173430	white	25 – 26	- / ●	1		10
KDT/Z-L 26	87173432	white	26 – 27	- / ●	1		10
KDT/Z-L 27	87173434	white	27 – 28	- / ●	1		10
KDT/Z-L 28	87173436	white	28 – 29	- / ●	1		10

Cable entry grommets, type KDT/Z-V0 (fire classification)

Made in Germany
RoHS compliant



-40 – 80 °C, transient 100 °C

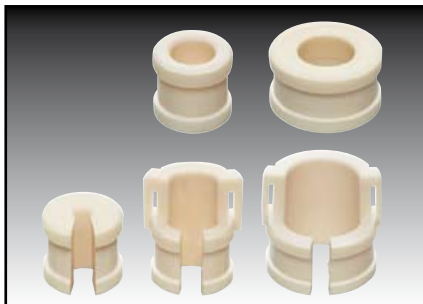


Thermoplastic rubber



V0

The cable entry grommet KDT/Z-V0 allows the fitting of cables from 3 – 29 mm in size in the cable entry system KDL. These cable entry grommets are self-extinguishing (V0) based on UL 94. Strain relief can be provided quickly and easily for cables using cable ties.



KDT/Z-V0...

Type	Order no.	Colour	For Ø mm	For entry small / large	No. openings	Pack qty.
Grommet, small						
KDT/Z-V0 03	87171512	white	3.0 – 4.0	● / -	1	10
KDT/Z-V0 04	87171514	white	4.0 – 5.0	● / -	1	10
KDT/Z-V0 05	87171516	white	5.0 – 6.0	● / -	1	10
KDT/Z-V0 06	87171518	white	6.0 – 7.0	● / -	1	10
KDT/Z-V0 07	87171520	white	7.0 – 8.0	● / -	1	10
KDT/Z-V0 08	87171522	white	8.0 – 9.0	● / -	1	10
KDT/Z-V0 09	87171524	white	9.0 – 10.0	● / -	1	10
KDT/Z-V0 10	87171526	white	10.0 – 11.0	● / -	1	10
KDT/Z-V0 11	87171528	white	11.0 – 12.0	● / -	1	10
KDT/Z-V0 12	87171530	white	12.0 – 13.0	● / -	1	10
KDT/Z-V0 13	87171532	white	13.0 – 14.0	● / -	1	10
KDT/Z-V0 14	87171534	white	14.0 – 15.0	● / -	1	10
KDT/Z-V0 15	87171536	white	15.0 – 16.0	● / -	1	10
Grommet, large						
KDT/Z-V0 16	87171712	white	16.0 – 17.0	- / ●	1	10
KDT/Z-V0 17	87171714	white	17.0 – 18.0	- / ●	1	10
KDT/Z-V0 18	87171716	white	18.0 – 19.0	- / ●	1	10
KDT/Z-V0 19	87171718	white	19.0 – 20.0	- / ●	1	10
KDT/Z-V0 20	87171720	white	20.0 – 21.0	- / ●	1	10
KDT/Z-V0 21	87171722	white	21.0 – 22.0	- / ●	1	10
KDT/Z-V0 22	87171724	white	22.0 – 23.0	- / ●	1	10
KDT/Z-V0 23	87171726	white	23.0 – 24.0	- / ●	1	10
KDT/Z-V0 24	87171728	white	24.0 – 25.0	- / ●	1	10
KDT/Z-V0 25	87171730	white	25.0 – 26.0	- / ●	1	10
KDT/Z-V0 26	87171732	white	26.0 – 27.0	- / ●	1	10
KDT/Z-V0 27	87171734	white	27.0 – 28.0	- / ●	1	10
KDT/Z-V0 28	87171736	white	28.0 – 29.0	- / ●	1	10



KDL cable entry system

Cable entry grommets, type KDT/Z-V0 (fire classification)



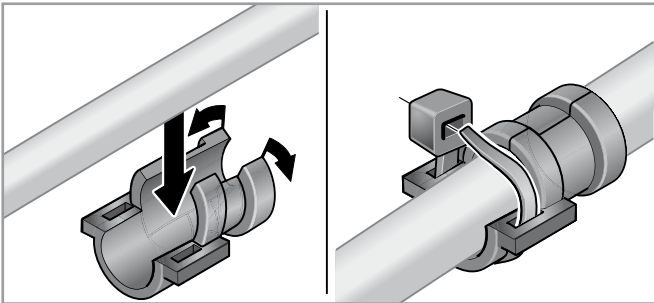
Type	Order no.	Colour	For Ø mm	For entry small / large	No. openings	Pack qty.
------	-----------	--------	----------	-------------------------	--------------	-----------

Dummy grommet

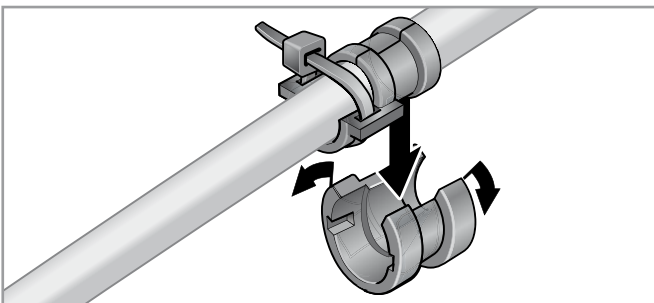
BTK-V0 17 (dummy grommet)	87171510	white		● / -	0	10
BTG-V0 32 (dummy grommet)	87171710	white		- / ●	0	10

Grommets match: KDL 16; KDL 24; KDL 2/10; KDL 3/15; KD/SG

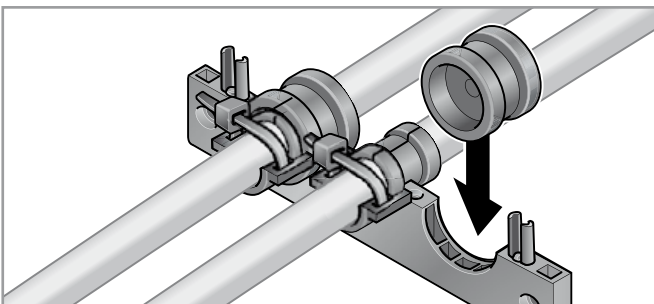
Assembly



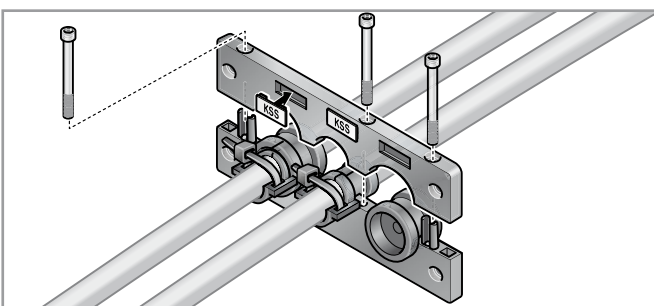
Lay cable into appropriate grommet and provide strain relief where necessary using cable ties.



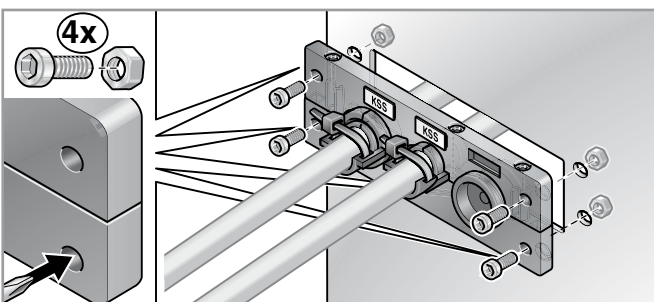
Where required, install small sleeves into the adapter grommet.



Insert rail completely. Fill in empty spaces with dummy grommets.



Join upper and lower part of bar. Fasten rail with the side screws.



Position rail on the cut-out and fasten.