

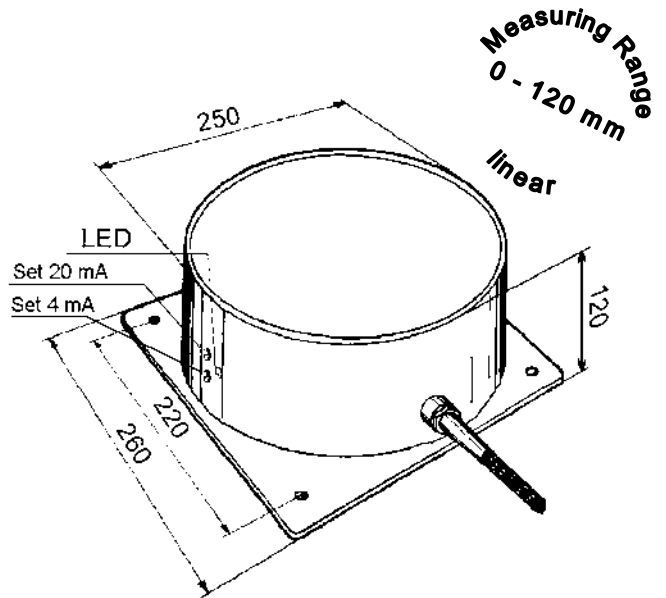
Compact analog sensor in stainless steel casing. The object distance can be transferred via the analogous output.

Range of distance and linearization for different applications can be individually set by two push-buttons.

## Technical Data

<b>Type</b>	<b>MKZ 120.194</b>
Art.-No.	2159K
Distance range max. Ab	0 - 120 mm*
Distance range adjustable	yes
Output	4 – 20 mA
Load impedance max.	560R
Ripple content	≤ 1%
Output short circuit protected	yes
Reverse polarity protection	no
Location at metal	flush mount
Supply voltage	24 V DC ± 20%
Ripple voltage	max. 15 %
Current consumption	≤ 12 mA
Readiness time	1 s
Response delay	approx. 20 ms
Resolution	1 ‰ of final value
Repeatability	≤ 0,3 %
Error of linearity	≤ 3 %
Error of temperature	≤ 10 %
Ambient temperature	-10 ... +70 °C
Protection class	IP 65
Connection	2 m POKT Therm Cable
Function display	Duo-LED
Housing material	stainless steel 1.4301

\*Referred to measuring plate steel ST37, 1 mm thick 250 x 250 mm. Deviations of material and size of the object to be measured influence the range of operation.



## Diagram of Connection

